

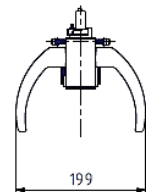
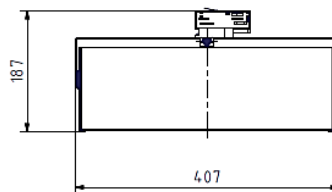
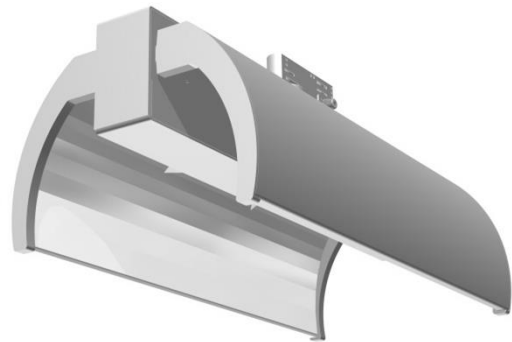
Doppio LED DAS, 66 W, 4000 K, 9000 lm (double asymmetrically)



**TRILUX**  
SIMPLIFY YOUR LIGHT.

## DOPPIO LED DAS (double asymmetrically)

Type of luminaire	Corridor zone light
Application areas	shelf- and corridor lighting
Mounting	2 – phase track adapter
Lighting technology	LED
Reflector	twice asymmetrically
Pan/tilt range	reflector pivotable about $\pm 5^\circ$
Lumen category	9000 lm (2x4500 lm)
Light colour white	4000K
Cooling	passive
Supply unit	integrated
Luminaire colour	RAL 9016 traffic white
Surface	structure powder coated
Nominal voltage	120 V, 60 Hz
Length	407 mm
Width	199 mm
Height	187 mm
Weight	approx. 4,9 kg



Certification marks



Reference Number	Reference	Net luminous flux	System Performance
50165850	DOPPIO 2P DAS 2LED4500-840 A65 US 01	8.160 lm	66W