



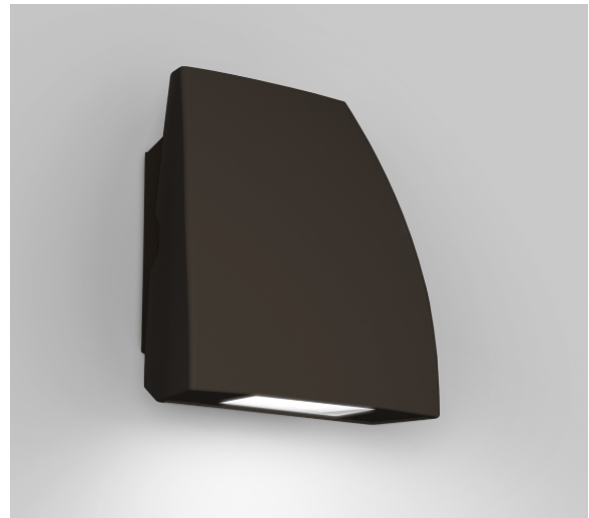
Endurance Wallpack LED IP66

DESCRIPTION:

Die cast aluminum factory sealed housings with patent pending design for a water and dust proof IP66 rated outdoor luminaire.

FEATURES:

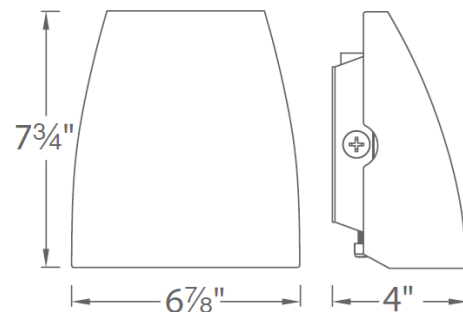
- Factory-Sealed LED Light Engine
- 20° Forward Throw Illumination
- Photo/Motion Sensor Compatible (Sold Separately)
- Built-in Level For Easy Adjustment
- Suitable to install in all directions
- Multi-Function Dimming: ELV (120V) or 0-10V
- 85 CRI
- Color Temperature 5000K



SPECIFICATIONS:

- **Construction:** Die-cast aluminum
- **Power:** Integral driver in luminaire. Universal voltage input (120V-277V)
- **Dimming:** 100% - 30% with 0 - 10V dimmer (120V - 277V)
100% - 15% with Electronic Low Voltage (ELV) dimmer (120V only)
- **Finish:** Architectural Bronze, Graphite, and White
- **Standards:** Energy Star®, DLC rated, IP66, Wet Location, ETL & cETL Listed
- **Total Harmonic Distortion:** 35%
- **Operating Temperature:** -40°C (-40°F) to 40°C (104°F)

DIMENSIONS:



| Reference Number | Reference | Area | System Performance |
|------------------|--------------------------|--------|--------------------|
| 50169708 | WALLPACK LED 1460 850 US | Facade | 19 W |