

Product information TX Arkon /OA for open areas



A standalone Constant Current fully recessable 110° widebeam 1 or 3 Watt LED c/w bi-colour charge LED designed to provide maintained or non-maintained, three hour duration emergency lighting. Available in either W - White (RAL9016) or S - Silver (RAL9006)



Recommended areas

Emergency use

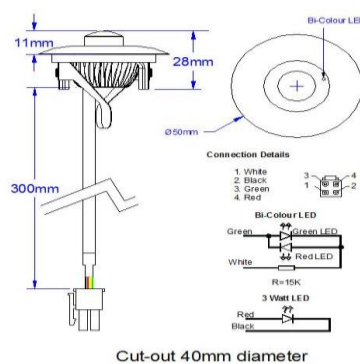
Optical system

Light source - Edison LED EDEW 3LA1-1

Beam angle - 110°

Light colour - 6,500K

Luminous flux - 76 lm min (1W), 115 lm min (3W)



Electrical characteristics

Input voltage - 4V DC max

Power rating - 350mA (1W), 700mA (3W)

Wiring method - series connection only via C4201 Series Plug

Dimensions

Dimensions - 50mm Dia x 60mm Depth

Weight - 75gms

Ordering information

TK: 10085272	TX/Arkon/OA/1/S
TK: 10085271	TX/Arkon/OA/1/W
TK: 10085270	TX/Arkon/OA/3/S
TK: 10079308	TX/Arkon/OA/3/W

1W LED in silver
1W LED in white
3W LED in silver
3W LED in white

available accessories

All technical data including details of weight and dimensions have been compiled with all due care. Errors excepted. Product illustrations serve as examples and may differ from the original. We reserve the right to make alterations in the interest of improving our products.

© TRILUX GmbH & Co. KG 2009/01/26 Data Management