

**AROUND THE  
BUILDING**

ENDURA PATH LIGHTING



# ENDURA IND G3 120/ 150/ 180/ 200 W

## Luminaire type

Bracket-mounted luminaire with flat cover for Path lighting

## Applications

Collection roads High traffic roads, Work roads.

## Mounting methods

Bracket mounted luminaire. The spigot of outer  $\text{Ø} 70 \text{ mm}$  with two mounting screw accessible from outside. Mast mounting via two stainless steel fixing screw

## Optical system

Symmetrical wide light intensity distribution. Further beam characteristics are available for flexible adaptation to customer-specific lighting tasks.

## LED system

Luminaires luminous flux 12000/15000/18000/20000 lm, connected load 120/150/180/200 W, luminous efficiency of luminaire 100 lm/W. Color temperature 4000K/5700K/6500K, color rendering index  $R_a > 80$ .

Service Life : 50,000 hrs.

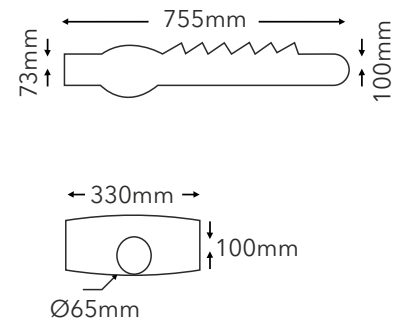
## Luminaire body

Luminaire body is made of high pressure die-cast aluminum, with side contour, with closed appearance. Luminaire body finished in RAL 7022 grey, highly weather resistant, and powder-coated. Toughened Glass safety cover to protect LED Module with independent Control gear housing for ease of Maintenance.

## Electrical version

Electronic Switchable /DALI

POE compatible version on request.



## AROUND THE BUILDING

ENDURA PATH LIGHTING



## ENDURA IND G3 120/ 150/ 180/ 200 W

### VARIANTS

10158051	ENDURA IND G3 12000-840 ET 02	12000 Lm, 4000 K, Electronic Switchable
10158053	ENDURA IND G3 12000-857 ET 02	12000 Lm, 5700 K, Electronic Switchable
10158055	ENDURA IND G3 12000-865 ET 02	12000 Lm, 6500 K, Electronic Switchable
10158057	ENDURA IND G3 15000-840 ET 02	15000 Lm, 4000 K, Electronic Switchable
10158059	ENDURA IND G3 15000-857 ET 02	15000 Lm, 5700 K, Electronic Switchable
10158061	ENDURA IND G3 15000-865 ET 02	15000 Lm, 6500 K, Electronic Switchable
10158063	ENDURA IND G3 18000-840 ET 02	18000 Lm, 4000 K, Electronic Switchable
10158065	ENDURA IND G3 18000-857 ET 02	18000 Lm, 5700 K, Electronic Switchable
10158067	ENDURA IND G3 18000-865 ET 02	18000 Lm, 6500 K, Electronic Switchable
10158069	ENDURA IND G3 20000-840 ET 02	20000 Lm, 4000 K, Electronic Switchable
10158071	ENDURA IND G3 20000-857 ET 02	20000 Lm, 5700 K, Electronic Switchable
10158073	ENDURA IND G3 20000-865 ET 02	20000 Lm, 6500 K, Electronic Switchable
10158052	ENDURA IND G3 12000-840 ETDD 02	12000 Lm, 4000 K, DALI Dimmable
10158054	ENDURA IND G3 12000-857 ETDD 02	12000 Lm, 5700 K, DALI Dimmable
10158056	ENDURA IND G3 12000-865 ETDD 02	12000 Lm, 6500 K, DALI Dimmable
10158058	ENDURA IND G3 15000-840 ETDD 02	15000 Lm, 4000 K, DALI Dimmable
10158060	ENDURA IND G3 15000-857 ETDD 02	15000 Lm, 5700 K, DALI Dimmable
10158062	ENDURA IND G3 15000-865 ETDD 02	15000 Lm, 6500 K, DALI Dimmable
10158064	ENDURA IND G3 18000-840 ETDD 02	18000 Lm, 4000 K, DALI Dimmable
10158066	ENDURA IND G3 18000-857 ETDD 02	18000 Lm, 5700 K, DALI Dimmable
10158068	ENDURA IND G3 18000-865 ETDD 02	18000 Lm, 6500 K, DALI Dimmable
10158070	ENDURA IND G3 20000-840 ETDD 02	20000 Lm, 4000 K, DALI Dimmable
10158072	ENDURA IND G3 20000-857 ETDD 02	20000 Lm, 5700 K, DALI Dimmable
10158074	ENDURA IND G3 20000-865 ETDD 02	20000 Lm, 6500 K, DALI Dimmable