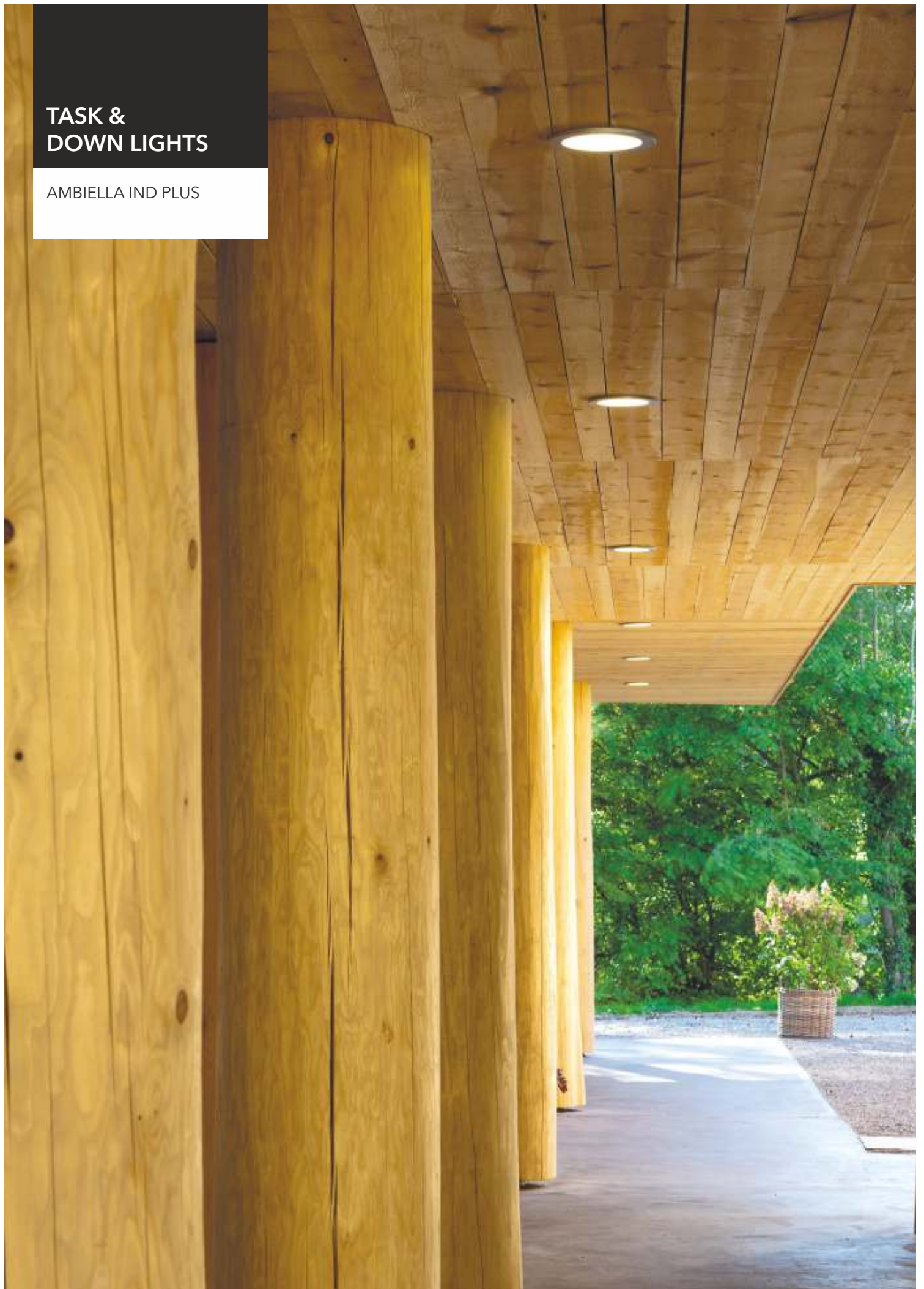


**TASK &
DOWN LIGHTS**

AMBIELLA IND PLUS



Ambiella IND Plus G3 LED, 12 W

Luminaire type

Compact LED downlight with round construction.

Applications

Offices, Corridors, Foyers, Conference rooms,
Retail areas, waiting zones.

Mounting methods

Recessed downlight for cut-out ceiling openings. Tool-free ceiling installation via rapid mounting springs. Housing Dia 145mm. Cut-out opening 125 mm diameter, Ceiling Clearance 70 mm.

Optical system

Harmonious light effect due to homogeneously illuminated light emission. Cover of translucent PMMA.

LED system

Luminaire luminous flux 1080 lm Connected load 12 Watt, Luminous efficiency of luminaire 90 lm/W. Colour rendering index Ra > 80, Service life 50000 operating hours.

Luminaire body

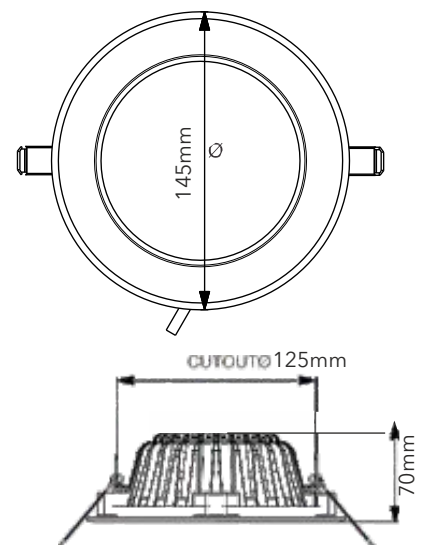
Ceiling rim and heat sink of die-cast Aluminum. Luminaire body and heat sink form a compact unit.

Electrical connection

Mains connection is achieved via connection cable.

Electrical version

Electronic Switchable/Analog/DALI.
POE compatible version on request.



VARIANTS

1015549	Ambiella Plus IND G3 LED 1000-830 ET	12W, Electronic Switchable, 3000K
1015552	Ambiella Plus IND G3 LED 1000-840 ET	12W, Electronic Switchable, 4000K
1015555	Ambiella Plus IND G3 LED 1000-857 ET	12W, Electronic Switchable, 5700K
1015551	Ambiella Plus IND G3 LED 1000-830 ETD	12W, Analog Dimmable, 3000K
1015554	Ambiella Plus IND G3 LED 1000-840 ETD	12W, Analog Dimmable, 4000K
1015557	Ambiella Plus IND G3 LED 1000-857 ETD	12W, Analog Dimmable, 5700K
1015550	Ambiella Plus IND G3 LED 1000-830 ETDD	12W, DALI Dimmable, 3000 K
1015553	Ambiella Plus IND G3 LED 1000-840 ETDD	12W, DALI Dimmable, 4000K
1015556	Ambiella Plus IND G3 LED 1000-857 ETDD	12W, DALI Dimmable, 5700K

TASK & DOWN LIGHTS

AMBIELLA IND PLUS



Ambiella IND Plus G3 LED, 15 W

Luminaire type

Compact LED downlight with round construction.

Applications

Offices, Corridors, Foyers, Conference rooms,
Retail areas, waiting zones.

Mounting methods

Recessed downlight for cut-out ceiling openings. Tool-free ceiling installation via rapid mounting springs. Housing Dia 145mm. Cut-out opening 125 mm diameter, Ceiling Clearance 70 mm.

Optical system

Harmonious light effect due to homogeneously illuminated light emission. Cover of translucent PMMA.

LED system

Luminaire luminous flux 1350 lm Connected load 15 Watt, Luminous efficiency of luminaire 90 lm/W. Colour rendering index Ra > 80, Service life 50000 operating hours.

Luminaire body

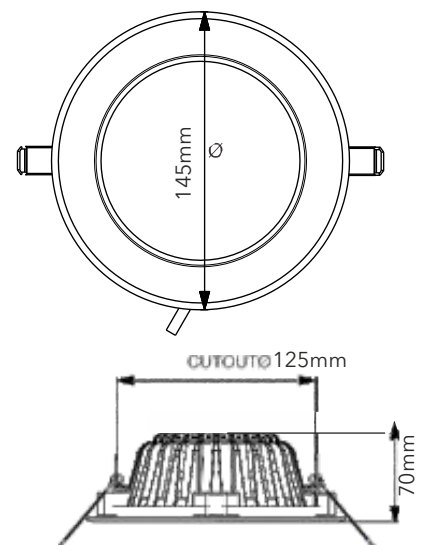
Ceiling rim and heat sink of die-cast Aluminum. Luminaire body and heat sink form a compact unit.

Electrical connection

Mains connection is achieved via connection cable.

Electrical version

Electronic Switchable/Analog/DALI.
POE compatible version on request.

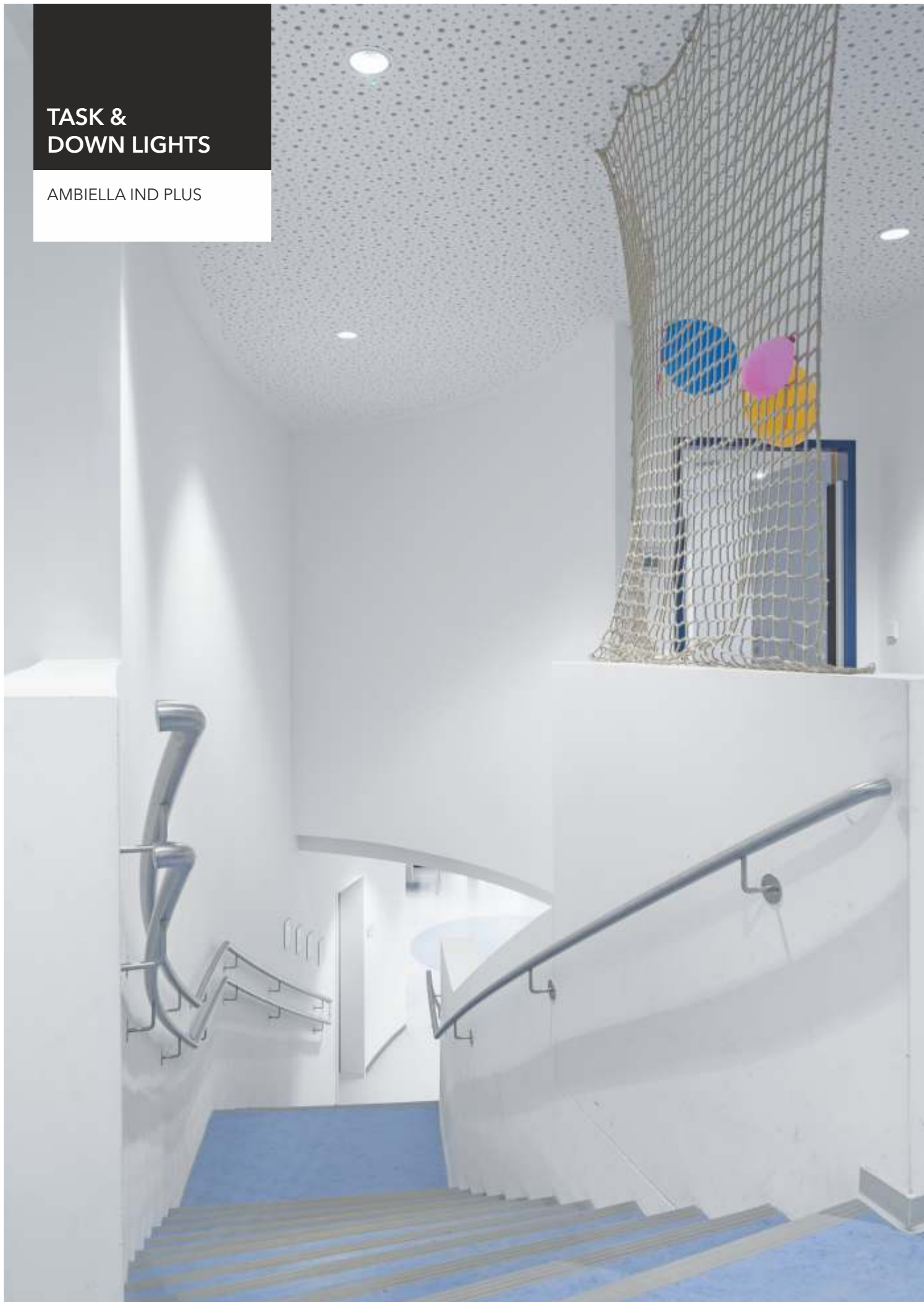


VARIANTS

10155558	Ambiella Plus IND G3 LED 1275-830 ET	15W, Electronic Switchable, 3000K
10155561	Ambiella Plus IND G3 LED 1275-840 ET	15W, Electronic Switchable, 4000K
10155564	Ambiella Plus IND G3 LED 1275-857 ET	15W, Electronic Switchable, 5700K
10155560	Ambiella Plus IND G3 LED 1275-830 ETD	15W, Analog Dimmable, 3000K
10155563	Ambiella Plus IND G3 LED 1275-840 ETD	15W, Analog Dimmable, 4000K
10155566	Ambiella Plus IND G3 LED 1275-857 ETD	15W, Analog Dimmable, 5700K
10155559	Ambiella Plus IND G3 LED 1275-830 ETDD	15W, DALI Dimmable, 3000K
10155562	Ambiella Plus IND G3 LED 1275-840 ETDD	15W, DALI Dimmable, 4000K
10155565	Ambiella Plus IND G3 LED 1275-857 ETDD	15W, DALI Dimmable, 5700K

TASK & DOWN LIGHTS

AMBIELLA IND PLUS



Ambiella IND Plus G3 LED, 18 W

Luminaire type

Compact LED downlight with round construction.

Applications

Offices, Corridors, Foyers, Conference rooms,
Retail areas, waiting zones.

Mounting methods

Recessed downlight for cut-out ceiling openings. Tool-free ceiling installation via rapid mounting springs. Housing Dia 145mm. Cut-out opening 125 mm diameter, Ceiling Clearance 70 mm

Optical system

Harmonious light effect due to homogeneously illuminated light emission. Cover of translucent PMMA.

LED system

Luminaire luminous flux 1620 lm Connected load 18 Watt, Luminous efficiency of luminaire 90 lm/W. Colour rendering index Ra > 80, Service life 50000 operating hours.

Luminaire body

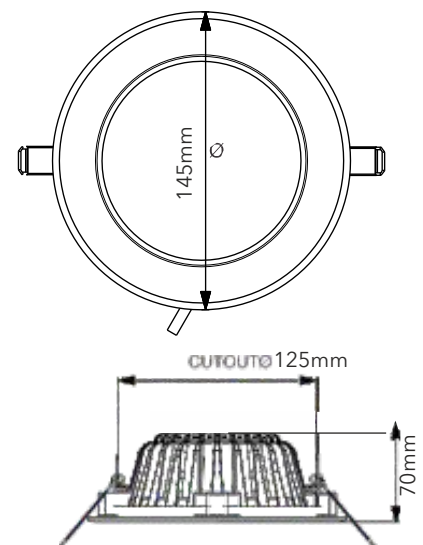
Ceiling rim and heat sink of die-cast Aluminum. Luminaire body and heat sink form a compact unit.

Electrical connection

Mains connection is achieved via connection cable.

Electrical version

Electronic Switchable/Analog/DALI.
POE compatible version on request.



VARIANTS

10155567	Ambiella Plus IND G3 LED 1530-830 ET	18W Electronic Switchable, 3000K
10155570	Ambiella Plus IND G3 LED 1530-840 ET	18W, Electronic Switchable, 4000K
10155573	Ambiella Plus IND G3 LED 1530-857 ET	18W, Electronic Switchable, 5700K
10155569	Ambiella Plus IND G3 LED 1530-830 ETD	18W, Analog Dimmable, 3000K
10155572	Ambiella Plus IND G3 LED 1530-840 ETD	18W, Analog Dimmable, 4000K
10155575	Ambiella Plus IND G3 LED 1530-857 ETD	18W, Analog Dimmable, 5700K
10155568	Ambiella Plus IND G3 LED 1530-830 ETDD	18W, DALI Dimmable, 3000K
10155571	Ambiella Plus IND G3 LED 1530-840 ETDD	18W, DALI Dimmable, 4000K
10155574	Ambiella Plus IND G3 LED 1530-857 ETDD	18W, DALI Dimmable, 5700K