

## TASK & DOWN LIGHTS

AMBIELLA IND G3



# Ambiella IND G3 LED, 8 W

## Luminaire type

Recessed LED downlight with round construction

## Applications

Offices, Hospitality, Auditoriums, Classrooms, Staircases, Corridors, Foyers, Conference rooms, Retail areas, waiting zones.

## Mounting methods

Recessed downlight for cut-out ceiling openings. Tool-free ceiling installation via rapid mounting springs. 122 mm diameter, Recess depth 65 mm. Cut out Dia 105mm, Weight 0.25 Kg.

## Optical system

Harmonious light effect due to homogeneously illuminated light emission. Cover of translucent PMMA.

## LED system

Luminaire luminous flux 720 lm Connected load 8 Watt, Luminous efficiency of luminaire 90 lm/W. Colour rendering index Ra > 80, Service life 50000 operating hours.

## Luminaire body

Pressure die-cast Aluminum. Bezel Options available. Round\*, Curvi\*\* and Hexa#

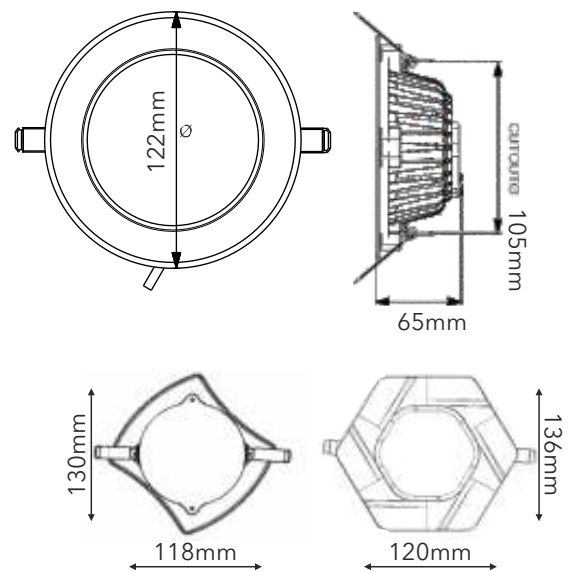
- \* Add "R" as suffix with TK number to denote Round Bezel
- \*\*Add "C" as suffix with TK number to denote Curvi Bezel
- # Add "H" as suffix with TK number to denote Hexa Bezel

## Electrical connection

Mains connection is achieved via connection cable.

## Electrical version

Electronic Switchable/Analog/DALI.  
POE compatible version on request.

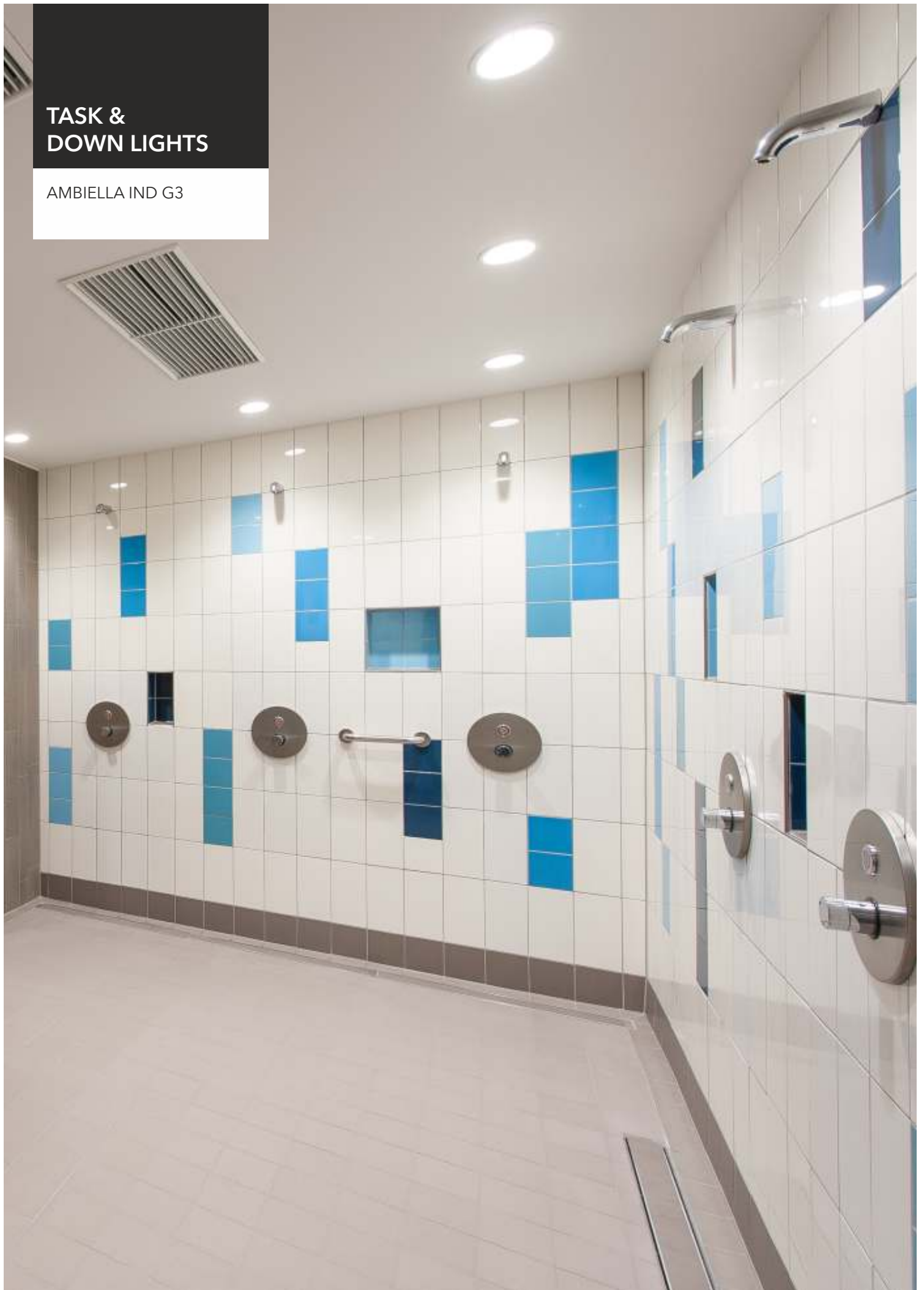


## VARIANTS

10161528	Ambiella IND G3 LED 640-830 ET	8 W, Electronic Switchable, 3000K
10161531	Ambiella IND G3 LED 640-840 ET	8 W, Electronic Switchable, 4000K
10161534	Ambiella IND G3 LED 640-857 ET	8 W, Electronic Switchable, 5700K
10161529	Ambiella IND G3 LED 640-830 ETD	8 W, Analog Dimmable, 3000K
10161532	Ambiella IND G3 LED 640-840 ETD	8 W, Analog Dimmable, 4000K
10161535	Ambiella IND G3 LED 640-857 ETD	8 W, Analog Dimmable, 5700K
10161530	Ambiella IND G3 LED 640-830 ETDD	8 W, DALI Dimmable, 3000K
10161533	Ambiella IND G3 LED 640-840 ETDD	8 W, DALI Dimmable, 4000K
10161536	Ambiella IND G3 LED 640-857 ETDD	8 W, DALI Dimmable, 5700K

## TASK & DOWN LIGHTS

AMBIELLA IND G3



# Ambiella IND G3 LED, 15 W

## Luminaire type

Recessed LED downlight with round construction

## Applications

Offices, Hospitality, Auditoriums, Classrooms, Staircases, Corridors, Foyers, Conference rooms, Retail areas, waiting zones.

## Mounting methods

Recessed downlight for cut-out ceiling openings. Tool-free ceiling installation via rapid mounting springs. 185 mm diameter, Recess depth 65 mm, Cut out Dia 160 mm, Weight 0.5 Kg

## Optical system

Harmonious light effect due to homogeneously illuminated light emission. Cover of translucent PMMA.

## LED system

Luminaire luminous flux 1350 lm Connected load 15 Watt, Luminous efficiency of luminaire 90 lm/W. Colour rendering index Ra > 80, Service life 50000 operating hours.

## Luminaire body

Pressure die-cast Aluminum. Bezel Options available. Round\*, Curvi\*\* and Hexa#

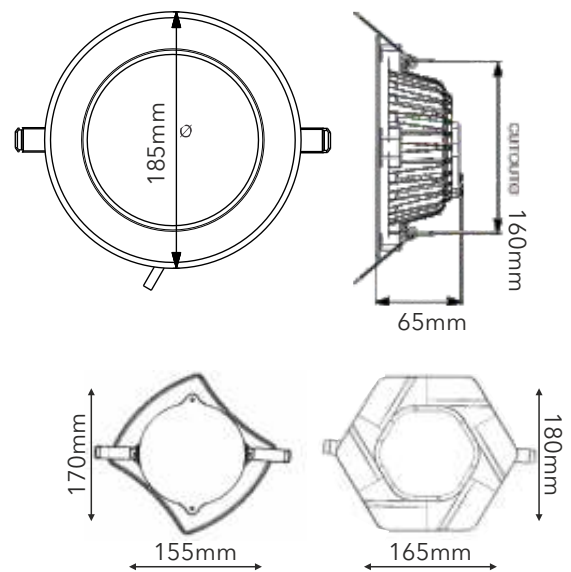
- \* Add "R" as suffix with TK number to denote Round Bezel
- \*\*Add "C" as suffix with TK number to denote Curvi Bezel
- # Add "H" as suffix with TK number to denote Hexa Bezel

## Electrical connection

Mains connection is achieved via connection cable.

## Electrical version

Electronic Switchable/Analog/DALI.  
POE compatible version on request.



## VARIANTS

10161537	Ambiella IND G3 LED 1250-830 ET	15 W, Electronic Switchable, 3000K
10161540	Ambiella IND G3 LED 1250-840 ET	15 W, Electronic Switchable, 4000K
10161543	Ambiella IND G3 LED 1250-857 ET	15 W, Electronic Switchable, 5700K
10161538	Ambiella IND G3 LED 1250-830 ETD	15 W, Analog Dimmable, 3000K
10161541	Ambiella IND G3 LED 1250-840 ETD	15 W, Analog Dimmable, 4000K
10161544	Ambiella IND G3 LED 1250-857 ETD	15 W, Analog Dimmable, 5700K
10161539	Ambiella IND G3 LED 1250-830 ETDD	15 W, DALI Dimmable, 3000K
10161542	Ambiella IND G3 LED 1250-840 ETDD	15 W, DALI Dimmable, 4000K
10161545	Ambiella IND G3 LED 1250-857 ETDD	15 W, DALI Dimmable, 5700K

## TASK & DOWN LIGHTS

AMBIELLA IND G3



# Ambiella IND G3 LED, 25 W

## Luminaire type

Recessed LED downlight with round construction

## Applications

Offices, Hospitality, Auditoriums, Classrooms, Staircases, Corridors, Foyers, Conference rooms, Retail areas, waiting zones.

## Mounting methods

Recessed downlight for cut-out ceiling openings. Tool-free ceiling installation via rapid mounting springs. 255 mm diameter, Recess depth 65 mm, Cut out Diameter 225 mm, Weight 0.9 Kg

## Optical system

Harmonious light effect due to homogeneously illuminated light emission. Cover of translucent PMMA.

## LED system

Luminaire luminous flux 2250 lm Connected load 25 Watt, Luminous efficiency of luminaire 90 lm/W. Colour rendering index Ra > 80, Service life 50000 operating hours.

## Luminaire body

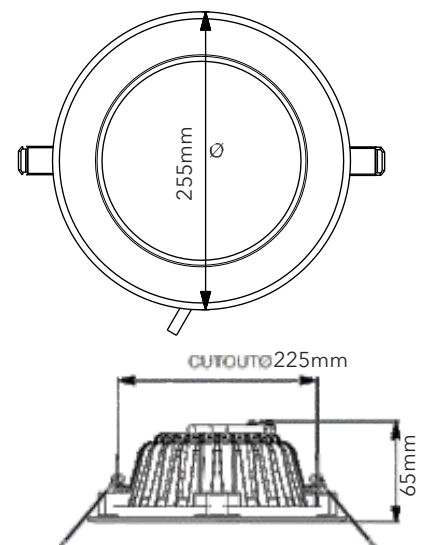
Pressure die-cast Aluminum. Bezel Option available. Rotund\*

## Electrical connection

Mains connection is achieved via connection cable.

## Electrical version

Electronic Switchable/Analog/DALI.  
POE compatible version on request.



## VARIANTS

10161555	Ambiella IND G3 LED 2125-830 ET	25 W, Electronic Switchable, 3000K
10161558	Ambiella IND G3 LED 2125-840 ET	25 W, Electronic Switchable, 4000K
10161561	Ambiella IND G3 LED 2125-857 ET	25 W, Electronic Switchable, 5700K
10161556	Ambiella IND G3 LED 2125-830 ETD	25 W, Analog Dimmable, 3000K
10161559	Ambiella IND G3 LED 2125-840 ETD	25 W, Analog Dimmable, 4000K
10161562	Ambiella IND G3 LED 2125-857 ETD	25 W, Analog Dimmable, 5700K
10161557	Ambiella IND G3 LED 2125-830 ETDD	25 W, DALI Dimmable, 3000K
10161560	Ambiella IND G3 LED 2125-840 ETDD	25 W, DALI Dimmable, 4000K
10161527	Ambiella IND G3 LED 2125-857 ETDD	25 W, DALI Dimmable, 5700K