



TRILUX
SIMPLIFY YOUR LIGHT.



TRILUX
INTRINSIC

PRODUCT GUIDE



Content

INTRODUCTION

Trilux Group, a united enterprise	4
Trilux - The Intrinsic Story	6
Intrinsic - Delivering your imagination	8
• Intrinsic Quality	
• Intrinsic Sustainability	
• Intrinsic Value	
• Intrinsic Partnership	



APPLICATION AREAS

Intrinsic in Office & Education	10
Intrinsic in Shop & Retail	11
Intrinsic in Industry	12
Intrinsic Around the Building	13



PRODUCTS

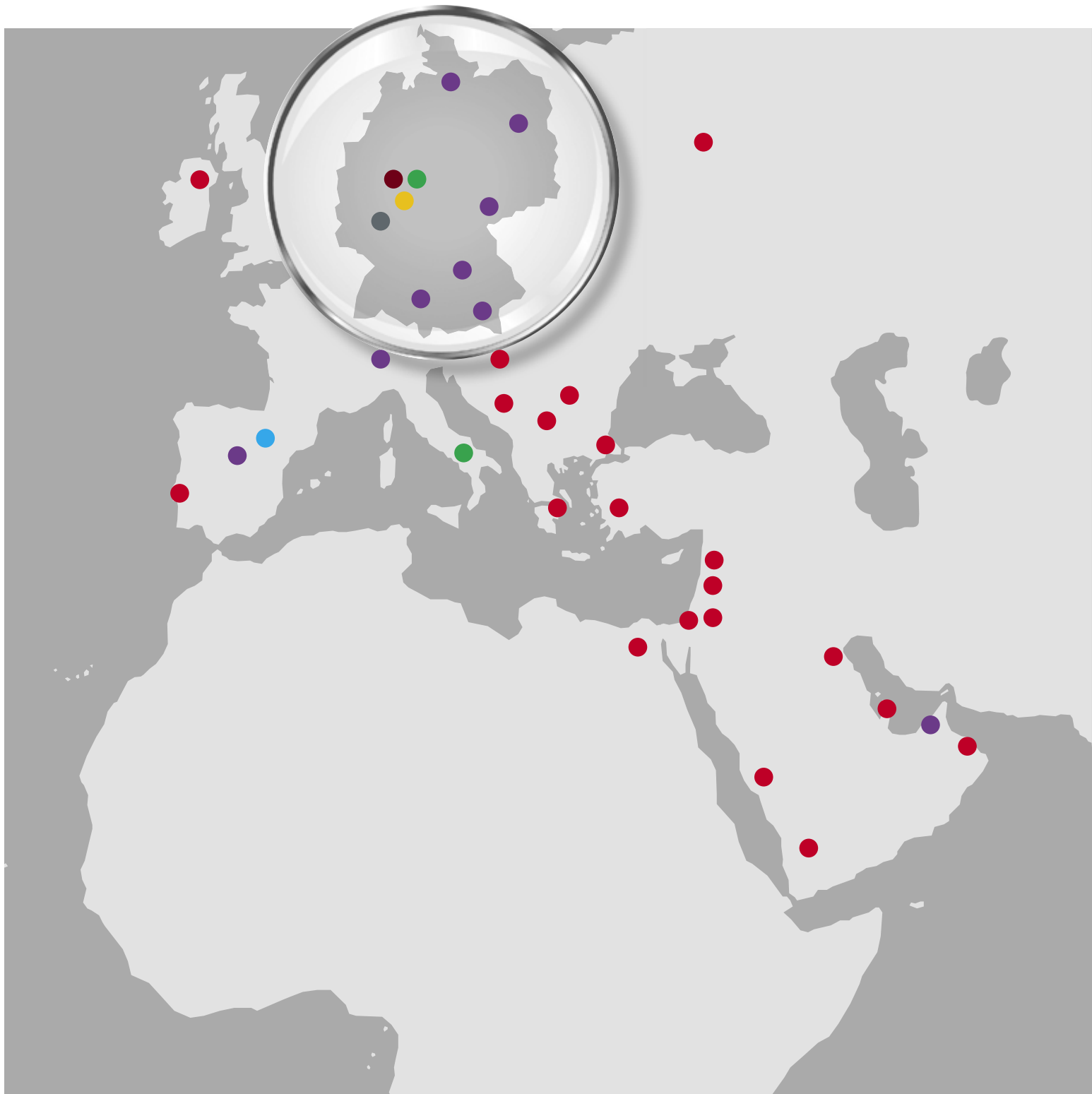
Task & Down Lights	
o Enterio IND	16
o Enterio D IND	20
o Troffer X	24
o Ambiella IND G3	26
o Ambilella IND Plus	32
o Ambiella D IND	38
o Ambiella IND Square	40
Linear Profiles	
o Linear Channel, Suspended; Direct	46
o Linear Channel, Suspended; Direct - Indirect	48
o Linear Channel, Recessed	50
• Ordering Legend - LCL	52
Flat Panel for Serviced Ceilings	62
Industrial and Weather Proof	
o Silolux LED	64
o X Trema Weather Proof	66
Around The Building	
o Kuviar Path Lighting	68
o Endura Path Lighting	70



TECHNOLOGY, THEMES AND TRENDS

Photometric Curve	74
Unified Glare Ratio (UGR)	74
Protection Class	74
IP Ratings	75
About LED	
o Four criteria of a good LED	76
o Critical LED Standards	77
Light Management	
o Energy Savings	80
o Intelligent Lighting - LiveLink	80
o Human Centric Lighting	81





● Partners

● Sales offices

Living up to higher benchmarks of maximized efficiency at optimal costs and offering innovative lighting solutions is our passion at Trilux.

Treading a path in an increasingly complex lighting market, our experts at Trilux, Oktalite, Zalux, watt 24, ICT and B,A,G combine their R&D expertise under a group banner to work with an indomitable mission - to provide clients with simple, optimum and futuristic solutions in lighting.

INTRODUCTION

TRILUX GROUP
A UNITED ENTERPRISE

● oktalite

● zalux
light evolution

● b,a,g,

● ICT

● watt24

Inspirational and future ready, Trilux products offer light just as near natural, efficient and sustainable; across applications in office & education, shop & retail, industry, and around the building.

With an exceedingly competitive and innovation oriented corporate structure, Trilux as a group represents a highly competent and pioneering lighting partner for diverse lighting needs.

Focussing on energy efficiency, sustainability and aesthetics, for us, light is a matter of setting standards of tomorrow, but Today!



There are elements that are 'Intrinsic to life'.

Keeping them simple is the unequivocal rule of nature. To ensure life is nurtured and sustained.

Light is one of them. "And so said God, let there be light, and there was Sunlight."

As life evolved, man felt the necessity of artificial light, "and so decided the man, let the light be made", and artificial light was created.

Artificial light has evolved with mankind, from incandescent lamps to LEDs today that illuminate the world so efficiently.

Taking cue, Wilhelm Lenze; in the year 1912 embarked on his journey in Menden - Germany to establish Trilux as a company that produced efficient luminaires which could be used across applications.

Keeping light simple, but efficient, "Triple + Lux = Trilux" has been the driving force of Trilux since inception.



More than a hundred years later, Trilux is headquartered in Arnsberg in Germany and has positioned itself as one of the most preferred brands in lighting, spread over 50 countries across the globe, with 26 subsidiaries manned by over 5500 headcount, and supported by several partners.

India being an IT Hub with a buoyant economy, Trilux presence in India has evolved from a distributorship model to its own subsidiary in 2013, leaving impressive footprints in the market and raising the bar when it comes to improving the visual impact and quality of life over the last one decade.

With more than three thousand products in its portfolio, Trilux realizes the importance of harnessing the technology and electronics in offering simple yet efficient lighting solutions across applications 'Inside or Around' a Building, be it in an Office, Educational Institute, Industry, Shop & Retail, Weatherproof, and Architectural lighting through its portfolio in the Core volume.

Countless innovations from the team and numerous awards have shaped the success of Trilux, lending an impetus to look to the future, making it bright for all.

Aimed to give planners simple and futuristic solutions that are intrinsic to any project, Trilux takes pleasure in presenting the **"Intrinsic"** series that is aimed at improving the quality of light and overall well-being in areas that are incidental to any project. A series that will evolve over time to address more and more requirements in India in times to come.

For Trilux, light is a matter of setting standards of tomorrow, but Today!

High in quality, Cost Efficient and Aesthetically Unobtrusive defines "Trilux Intrinsic".



INTRINSIC

DELIVERING YOUR
IMAGINATION



■ INTRINSIC QUALITY

With Trilux, there is an integral quality that is intrinsic with the brand. Extensive regulations in terms of quality and safety are specified internationally, however; at Trilux, we have never felt obliged to merely fulfil them because a standard is simply not our benchmark. We are known to outperform legislative requirements by far as an outcome of our passion and dedication driven by our conviction to put quality into practice on a daily basis in all our activities.

The outcome is a benchmark in itself - we take pride in making products that far exceed specified norms of quality. As a result, all our products come with a standard system warranty of full five years!

■ INTRINSIC PARTNERSHIP

Trilux has always been a solution provider. Working as a partner in projects, Trilux consultants work in tandem with designers, architects and lighting consultants from the drawing board stage. To ensure the client expectations are understood, the right products are specified in design, the site conditions are taken into account, the budgets adhered to and finally, the solution is just right for the end user.

The partnership extends well beyond the concept and delivery, living beyond the solution life; only to be reinforced with a new project, with the Trilux teams providing installation guidance and support to contractors, backed by a special Trilux Intrinsic Warranty.

■ INTRINSIC SUSTAINABILITY

Whatever we do, a fundamental component of all our activities is to offer sustainable and energy savings products, produced with a resource handling that saves energy and focusses on recycling of materials. With LED technology, our products have reached dimensions of economy, energy efficiency and environmental friendliness that is ambitious to say the least.

Made possible by harnessing alternate sources of power like the solar system installed to power our logistics centre in Arnsberg, our continuous endeavours through several internal energy management measures across the Globe drive our social and entrepreneurial responsibility to achieve intrinsic and long term sustainability.

■ INTRINSIC VALUE

When it comes to Trilux, over a hundred years of providing lighting solutions across applications that are not only energy efficient but also optimum in terms of performance; it has always been our endeavour to offer solutions that add value to projects.

In progression, our Intrinsic range not only carries with it the quality of the core products, but is also aimed at reducing investment and ownership costs. The outcome is a robust and a reliable engineering solution that maximizes performance over price.

INTRINSIC IS INCIDENTAL

INTRINSIC IN OFFICE & EDUCATION



Performance in office or alacrity in a classroom is vital for enhancing productivity. Wellbeing of users by reducing visual fatigue makes them feel at ease, comfortable with what they do and blend well with teams and equipment.

Modern and contemporary lighting when optimally designed and installed, facilitates productivity, and enhances efficiency.

It is also a creative element that not only blends intrinsically with the interiors but also lends corporate identity enabling expression of institutional ethos without becoming jarring to the eye.

A good product means a good solution that offers a recurring savings on a dynamic basis and use with a light management system like Trilux LiveLink facilitates individualized light for each user / user group.

Intrinsic advantage

Energy Efficiency | Unobtrusive Aesthetics | Robust Solutions | Peace of Mind

INTRINSIC IS INCIDENTAL

INTRINSIC IN SHOP & RETAIL



Best Products look best in best light.

We all know how a merchandise is lit influences a purchase decision. A play of light can arouse emotions, cravings, inquisitiveness and the urge to possess. Intensity, Colour and Contrast can make or break a sale.

A good light is used to accentuate the best in a merchandise as light creates the atmosphere to support sales. A well-presented merchandise is half-sold, and with the use of Trilux Intrinsic, you can give shape to structures and provide orientation to objects.

Here, the acts to create an environment where true colours are depicted by use of products that have a good CRI, generate less heat and produce no UV rays for enhancing the shelf appearance and longevity.

Intrinsic advantage

Natural Colours | Unobtrusive Aesthetics | Minimum Heat Load & High Efficiency | No UV - No fading

INTRINSIC IS INCIDENTAL

INTRINSIC IN INDUSTRY



“When the going gets tough, the tough get going”.

Industrial situations are not meant for delicacy. Not only industry demands robust products for the conditions that are extreme, it is intrinsic to use solutions that are reliable with a high degree of dependability, for any downtime means loss of productivity.

Economy, efficiency, reliability and stout solutions are sought in industrial applications that can withstand extreme weather conditions over a long service life with almost no maintenance.

Trilux Intrinsic range offers a choice of reliable, safe and performing bay lights & weatherproof battens that are suitable for warehouse, production bays, canopied outdoor areas, parking areas and cold stores.

Intrinsic advantage

Low operating costs | Almost Nil Maintenance | Robust and Dependable

INTRINSIC IS INCIDENTAL

INTRINSIC AROUND THE BUILDING



Many facets, diverse applications.

It is imperative that areas around the buildings are adequately lit for safety and visibility. Since these areas require all night visibility, it is Intrinsic that the luminaires must be robust, reliable and efficient.

Not only the performance, the luminaires around the building play an important role in lighting up gardens, pedestrian areas, pathways, green zones and other outdoor areas, hence create a visual effect that pleases the human eye.

Trilux Intrinsic offers solutions that are not only energy efficient but also blend comfortably with the environment and create soothing ambience while ensuring required visibility.







Intrinsic advantage

Economy & Ecology friendly | Precise lighting| Robust

PRODUCTS

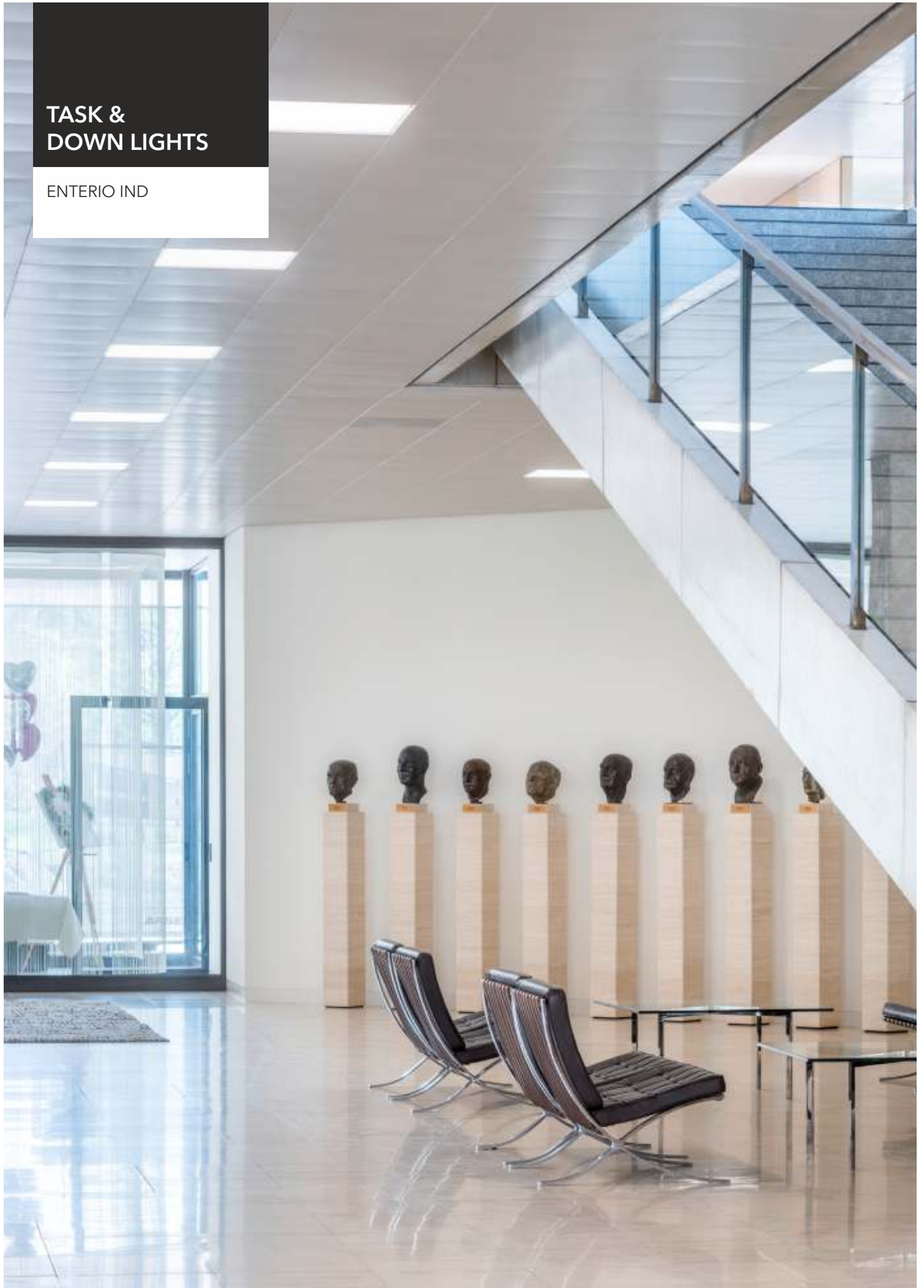
	 Page	 Office	 Education	 Shop & Retail	 Industry	 Around The Building
ENTERIO IND	16	✓	✓	✓		
ENTERIO D IND	20	✓	✓	✓		
TROFFER X	24	✓	✓	✓		
AMBIELLA IND G3	26	✓	✓	✓	✓	
AMBIELLA IND PLUS	32	✓	✓	✓	✓	
AMBIELLA D IND	38	✓	✓	✓	✓	
AMBIELLA IND SQUARE	40	✓	✓	✓	✓	

PRODUCTS

						
	Page	Office	Education	Shop & Retail	Industry	Around The Building
LINEAR CHANNEL, SUSPENDED. DIRECT/ DIRECT - INDIRECT	46	✓	✓	✓	✓	
LINEAR CHANNEL, RECESSED	50	✓	✓	✓	✓	
FLAT PANEL FOR SERVICED CEILINGS	62	✓	✓	✓	✓	
SILOLUX LED	64				✓	
X TREMA WEATHER PROOF	66				✓	✓
KUVIAR PATH LIGHTING	68					✓
ENDURA PATH LIGHTING	70					✓

TASK & DOWN LIGHTS

ENTERIO IND



Enterio IND M41

Luminaire type

Recessed LED luminaire with translucent PMMA cover.

Applications

Offices, Banks, Hospitality, Hospitals, Corridors, Foyers, Conference rooms, Retail areas, waiting zones.

Mounting types

For system ceilings with exposed grids, False Ceilings.

Surface Mounted Option available on request.

Dimensions (L x W X H) 295 mm x 295 mm x 50 mm;
Cut Out Dimensions (L x W) 270 mm x 270 mm

Optical system

Harmonious light effect due to homogeneously illuminated light emission. Cover of translucent PMMA.

LED system

Luminaire luminous flux 2000lm Connected load 22 Watt
Luminous efficiency of luminaire 90 lm/W. Colour rendering index Ra > 80, Service life 50.000 operating hours.

Luminaire body

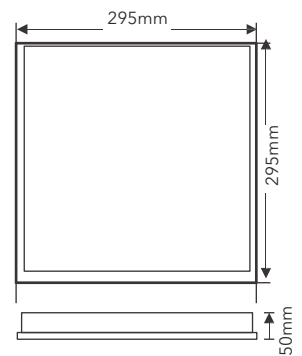
Powder Coated CRCA, white; options available

Electrical connection

Mains connection is achieved via connection cable.

Electrical version

Electronic Switchable/Analog/DALI.
POE compatible version on request.

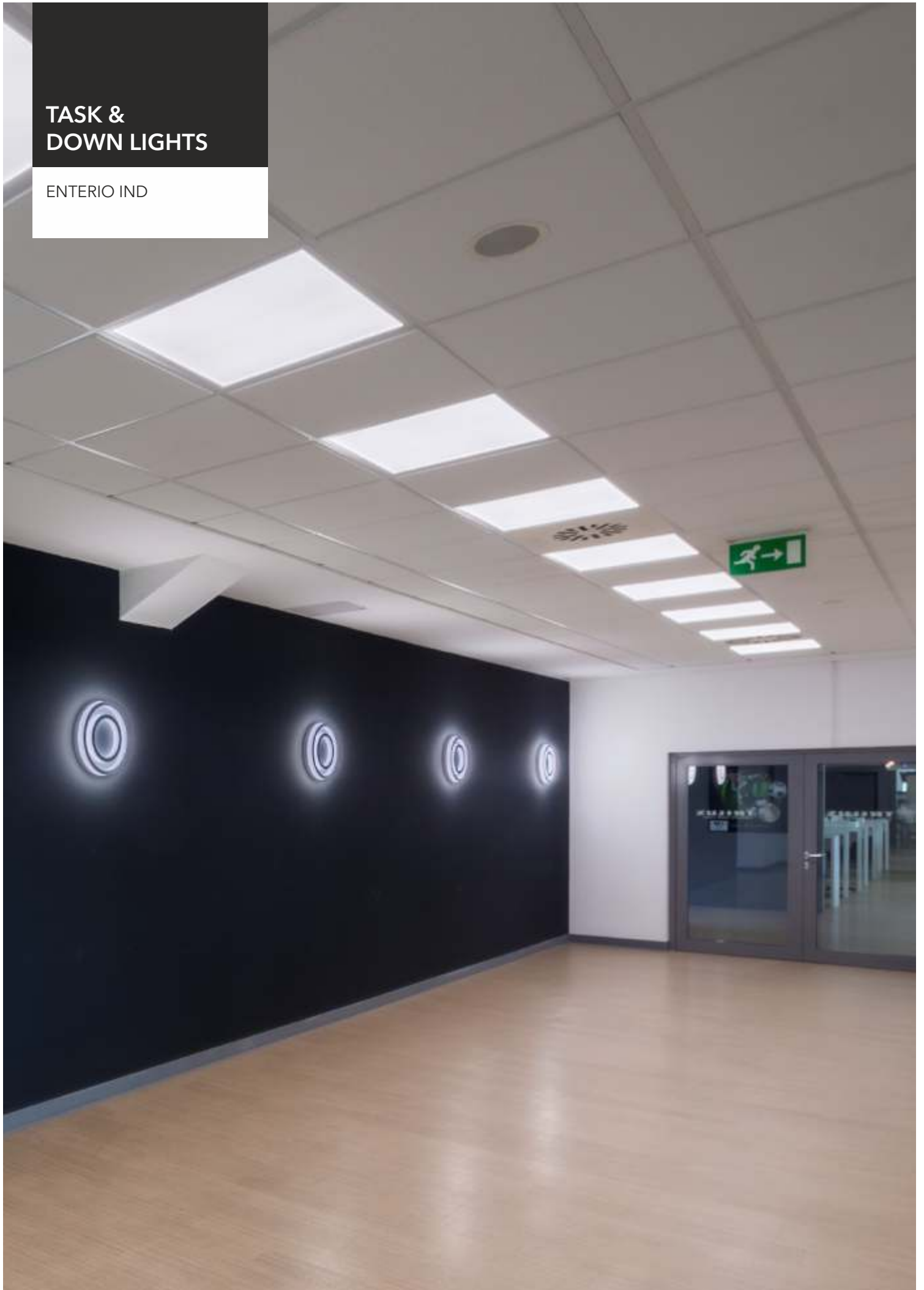


VARIANTS

10161546	Enterio IND M41 OA LED 2000 830 ET	22 W, Electronic Switchable, 3000 K
10161549	Enterio IND M41 OA LED 2000 840 ET	22 W, Electronic Switchable, 4000 K
10161552	Enterio IND M41 OA LED 2000 857 ET	22 W, Electronic Switchable, 5700 K
10161547	Enterio IND M41 OA LED 2000 830 ETD	22 W, Analog Dimmable, 3000 K
10161550	Enterio IND M41 OA LED 2000 840 ETD	22 W, Analog Dimmable, 4000 K
10161553	Enterio IND M41 OA LED 2000 857 ETD	22 W, Analog Dimmable, 5700 K
10161548	Enterio IND M41 OA LED 2000 830 ETDD	22 W, DALI Dimmable, 3000 K
10161551	Enterio IND M41 OA LED 2000 840 ETDD	22 W, DALI Dimmable, 4000 K
10161554	Enterio IND M41 OA LED 2000 857 ETDD	22 W, DALI Dimmable, 5700 K

TASK & DOWN LIGHTS

ENTERIO IND



Enterio IND M73

Luminaire type

Recessed LED luminaire with translucent PMMA cover.

Applications

Offices, Banks, Hospitality, Hospitals, Corridors, Foyers, Conference rooms, Retail areas, waiting zones.

Mounting types

For system ceilings with exposed grids, False Ceilings.

Dimensions (L x W X H) 595 mm x 595 mm x 90 mm;

Cut Out Dimensions (L x W) 570 mm x 570 mm

Optical system

Harmonious light effect due to homogeneously illuminated light emission. Cover of translucent PMMA.

LED system

Luminaire luminous flux 3600 lm, Connected load 36 Watt
Luminous efficiency of luminaire 100 lm/W. Colour rendering index Ra > 80, Service life 50000 operating hours.

Luminaire body

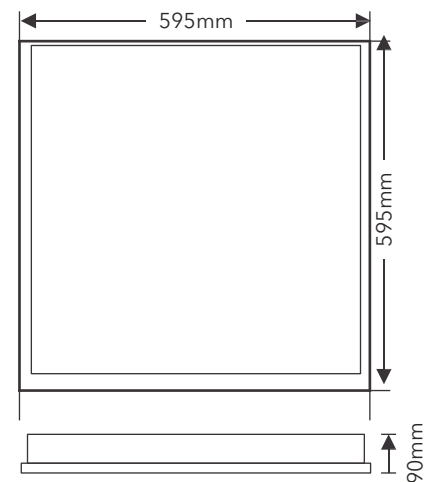
Powder Coated CRCA, white; options available

Electrical connection

Mains connection is achieved via connection cable.

Electrical version

Electronic Switchable/Analog/DALI.
POE compatible version on request.

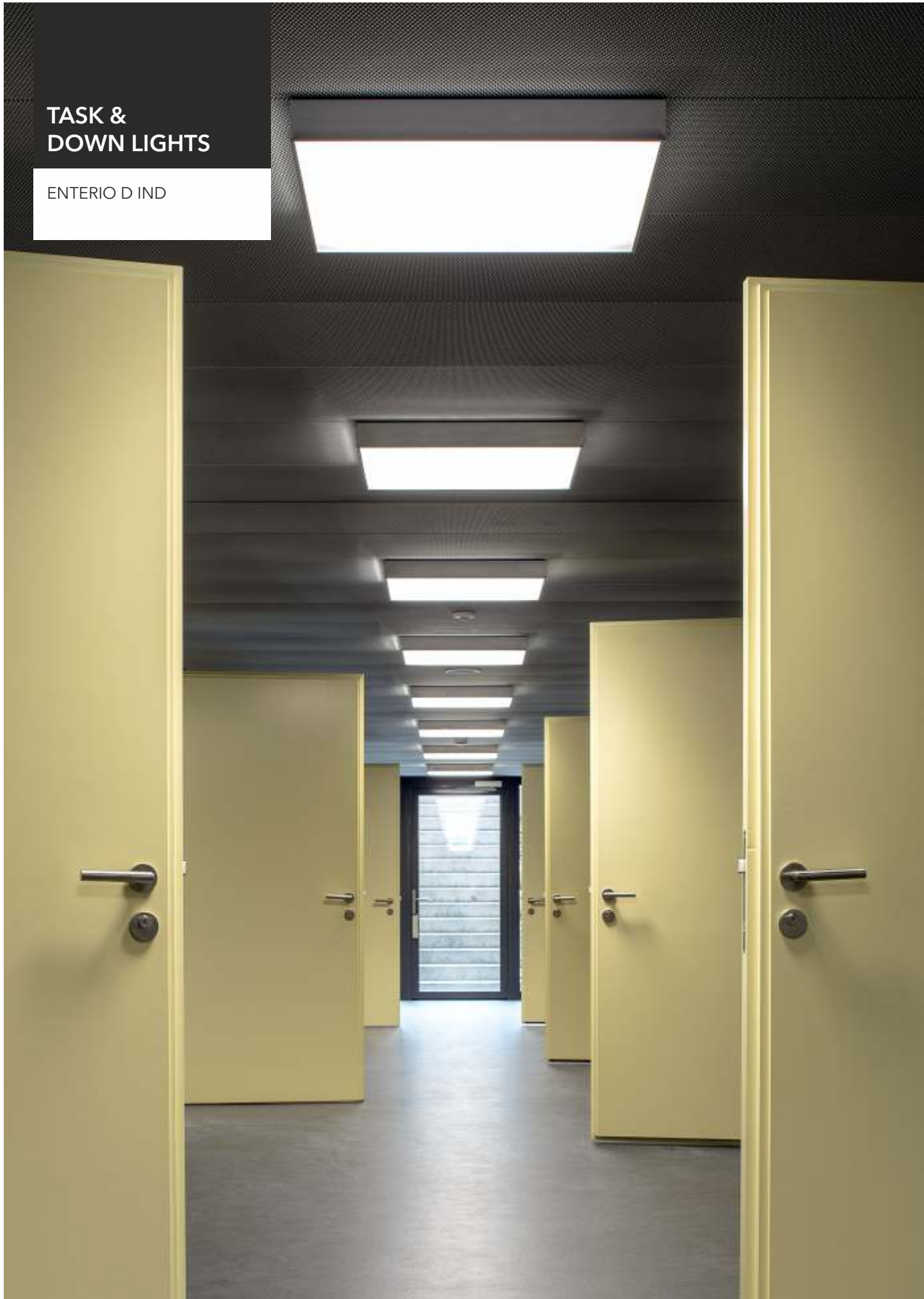


VARIANTS

10161579	Enterio IND M73 OA LED 3600 830 ET	36 W, Electronic Switchable, 3000 K
10139666	Enterio IND M73 OA LED 3600 840 ET	36 W, Electronic Switchable, 4000 K
10139667	Enterio IND M73 OA LED 3600 860 ET	36 W, Electronic Switchable, 5700 K
10161580	Enterio IND M73 OA LED 3600 830 ETD	36 W, Analog Dimmable, 3000 K
10139664	Enterio IND M73 OA LED 3600 840 ETD	36 W, Analog Dimmable, 4000 K
10139665	Enterio IND M73 OA LED 3600 860 ETD	36 W, Analog Dimmable, 5700 K
10161569	Enterio IND M73 OA LED 3600 830 ETDD	36 W, DALI Dimmable, 3000 K
10139668	Enterio IND M73 OA LED 3600 840 ETDD	36 W, DALI Dimmable, 4000 K
10139669	Enterio IND M73 OA LED 3600 860 ETDD	36 W, DALI Dimmable, 5700 K

TASK & DOWN LIGHTS

ENTERIO D IND



Enterio D IND LED 36 W

Luminaire type

Surface mounted LED luminaire with PMMA Diffuser.

Applications

Offices, Corridors, Foyers, Conference rooms, Retail areas, waiting zones.

Mounting methods

For mounting to exposed ceilings.

Optical system

Harmonious light effect due to homogeneously illuminated light emission. Cover of translucent PMMA.

LED system

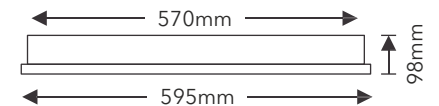
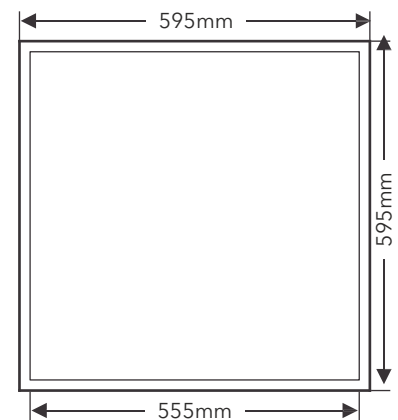
Luminaries Luminous Flux 3600 Lm, connected Load 36W with white color temperature 5700 K, Colour rendering index Ra > 80. Service life 50,000 operating hours.

Luminaire body

CRCA luminaire body, white coated.

Electrical version

With electronic switchable / DALI
POE compatible version on request



VARIANTS

10166528	Enterio D IND LED3600-840 ET	36 W, Electronic Switchable, 4000K
10166529	Enterio D IND LED3600-857 ET	36 W, Electronic switchable, 5700K
10166530	Enterio D IND LED3600-840 ETDD	36 W, DALI Dimmable, 4000K
10166531	Enterio D IND LED3600-857 ETDD	36 W, DALI Dimmable, 5700K

TASK & DOWN LIGHTS

ENTERIO IND



Enterio IND M46

Luminaire type

Recessed LED luminaire with translucent PMMA cover.

Applications

Offices, Banks, Hospitality, Hospitals, Corridors, Foyers, Conference rooms, Retail areas, waiting zones.

Mounting types

For system ceilings with exposed grids, False Ceilings.

Surface Mounted Option available on request.

Dimensions (L x W X H) 1190 mm x 295 mm x 90 mm;
Cut Out Dimensions (L x W) 1170 mm x 270 mm

Optical system

Harmonious light effect due to homogeneously illuminated light emission. Cover of translucent PMMA.

LED system

Matrix of mid power, high efficacy best in Class SMD LEDs
Luminaire luminous flux 3600 lm. Connected load 36 Watt,
Luminous efficiency of luminaire 100 lm/W. Colour rendering index Ra > 80, Service life 50000 operating hours.

Luminaire body

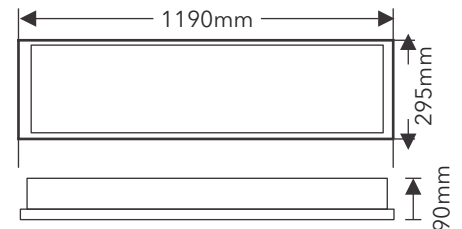
Powder Coated CRCA, white; options available

Electrical connection

Mains connection is achieved via connection cable.

Electrical version

Electronic Switchable/Analog/DALI.
POE compatible version on request.



VARIANTS

10161570	Enterio IND M46 OA LED 3600 830 ET	36 W, Electronic Switchable, 3000 K
10161571	Enterio IND M46 OA LED 3600 840 ET	36 W, Electronic Switchable, 4000 K
10161572	Enterio IND M46 OA LED 3600 860 ET	36 W, Electronic Switchable, 5700 K
10161573	Enterio IND M46 OA LED 3600 830 ETD	36 W, Analog Dimmable, 3000 K
10161574	Enterio IND M46 OA LED 3600 840 ETD	36 W, Analog Dimmable, 4000 K
10161575	Enterio IND M46 OA LED 3600 860 ETD	36 W, Analog Dimmable, 5700 K
10161576	Enterio IND M46 OA LED 3600 830 ETDD	36 W, DALI Dimmable, 3000 K
10161577	Enterio IND M46 OA LED 3600 840 ETDD	36 W, DALI Dimmable, 4000 K
10161578	Enterio IND M46 OA LED 3600 860 ETDD	36 W, DALI Dimmable, 5700 K

**TASK &
DOWN LIGHTS**

TROFFER X



Troffer X

Luminaire type

Innovative luminaire with backlit Troffer X-Panel for recessed applications adopts integrated design, and integral firm structure creating stunning light effects in ceilings.

Applications

Offices, Banks, Hospitality, Hospitals, Corridors, Foyers, Conference rooms, Retail areas, waiting zones.

Mounting types

For system ceilings with exposed grids, false ceilings.
 Dimensions (L x W x H) 595 mm x 595 mm x 25 mm;
 Cut Out Dimensions (L x W) 570 mm x 570 mm

Optical system

Highly efficient Conical De-glaring Micro-prisms,
 UGR <19. "X" shape light emission.

LED system

Super bright LED as light source, which is stable, long life and no UV & IR emission. Luminaire luminous flux 3500 lm, Connected load 28 Watt, Colour Temperatures 3000 K/ 4000 K/ 5700 K, Luminous efficiency of luminaire 125 lm/W. Colour rendering index Ra > 80. Service life 50,000 operating hours.

Luminaire body

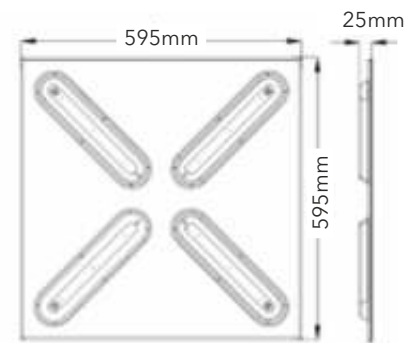
Powder Coated CRCA, white

Electrical connection

Mains connection is achieved via connection cable.

Electrical version

Electronic Switchable/Analog/DALI.
 POE compatible version on request.



VARIANTS

10159918	Troffer X Panel 28W-WW ET01	28 W, Electronic Switchable, 3500Lm, 3000K
10159919	Troffer X Panel 28W-NW ET01	28 W, Electronic Switchable, 3500Lm, 4000K
10159920	Troffer X Panel 28W-CW ET01	28 W, Electronic Switchable, 3500Lm, 5700K
10159921	Troffer X Panel 28W-WW ETDD01	28 W, DALI Dimmable, 3500Lm, 3000K
10159922	Troffer X Panel 28W-NW ETDD01	28 W, DALI Dimmable, 3500Lm, 4000K
10159923	Troffer X Panel 28W-CW ETDD01	28 W, DALI Dimmable, 3500Lm, 5700K

TASK & DOWN LIGHTS

AMBIELLA IND G3



Ambiella IND G3 LED, 8 W

Luminaire type

Recessed LED downlight with round construction

Applications

Offices, Hospitality, Auditoriums, Classrooms, Staircases, Corridors, Foyers, Conference rooms, Retail areas, waiting zones.

Mounting methods

Recessed downlight for cut-out ceiling openings. Tool-free ceiling installation via rapid mounting springs. 122 mm diameter, Recess depth 65 mm. Cut out Dia 105mm, Weight 0.25 Kg.

Optical system

Harmonious light effect due to homogeneously illuminated light emission. Cover of translucent PMMA.

LED system

Luminaire luminous flux 720 lm Connected load 8 Watt, Luminous efficiency of luminaire 90 lm/W. Colour rendering index Ra > 80, Service life 50000 operating hours.

Luminaire body

Pressure die-cast Aluminum. Bezel Options available. Round*, Curvi** and Hexa#

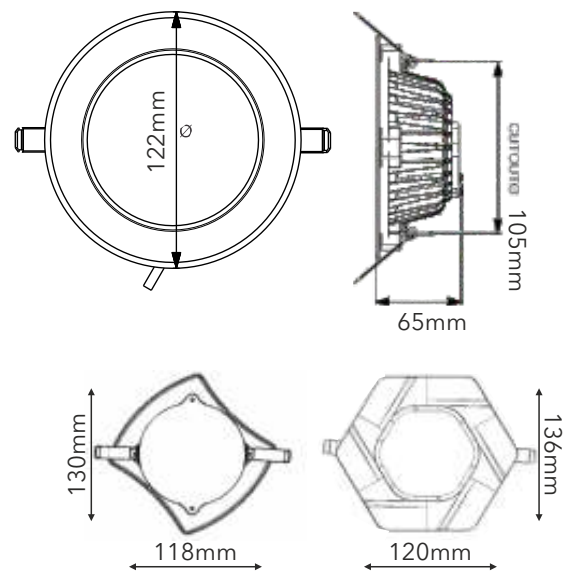
- * Add "R" as suffix with TK number to denote Round Bezel
- **Add "C" as suffix with TK number to denote Curvi Bezel
- # Add "H" as suffix with TK number to denote Hexa Bezel

Electrical connection

Mains connection is achieved via connection cable.

Electrical version

Electronic Switchable/Analog/DALI.
POE compatible version on request.

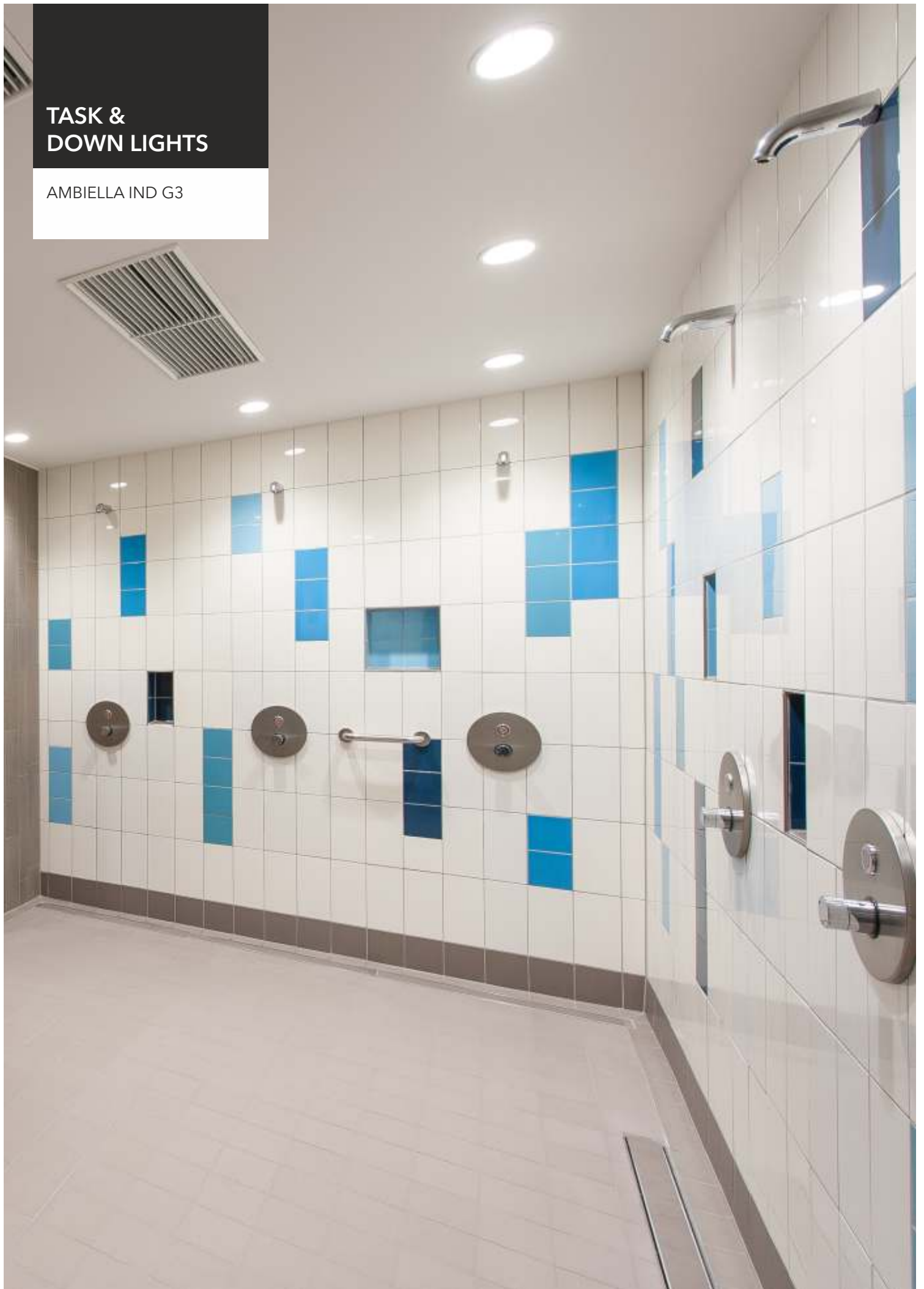


VARIANTS

10161528	Ambiella IND G3 LED 640-830 ET	8 W, Electronic Switchable, 3000K
10161531	Ambiella IND G3 LED 640-840 ET	8 W, Electronic Switchable, 4000K
10161534	Ambiella IND G3 LED 640-857 ET	8 W, Electronic Switchable, 5700K
10161529	Ambiella IND G3 LED 640-830 ETD	8 W, Analog Dimmable, 3000K
10161532	Ambiella IND G3 LED 640-840 ETD	8 W, Analog Dimmable, 4000K
10161535	Ambiella IND G3 LED 640-857 ETD	8 W, Analog Dimmable, 5700K
10161530	Ambiella IND G3 LED 640-830 ETDD	8 W, DALI Dimmable, 3000K
10161533	Ambiella IND G3 LED 640-840 ETDD	8 W, DALI Dimmable, 4000K
10161536	Ambiella IND G3 LED 640-857 ETDD	8 W, DALI Dimmable, 5700K

TASK & DOWN LIGHTS

AMBIELLA IND G3



Ambiella IND G3 LED, 15 W

Luminaire type

Recessed LED downlight with round construction

Applications

Offices, Hospitality, Auditoriums, Classrooms, Staircases, Corridors, Foyers, Conference rooms, Retail areas, waiting zones.

Mounting methods

Recessed downlight for cut-out ceiling openings. Tool-free ceiling installation via rapid mounting springs. 185 mm diameter, Recess depth 65 mm, Cut out Dia 160 mm, Weight 0.5 Kg

Optical system

Harmonious light effect due to homogeneously illuminated light emission. Cover of translucent PMMA.

LED system

Luminaire luminous flux 1350 lm Connected load 15 Watt, Luminous efficiency of luminaire 90 lm/W. Colour rendering index Ra > 80, Service life 50000 operating hours.

Luminaire body

Pressure die-cast Aluminum. Bezel Options available. Round*, Curvi** and Hexa#

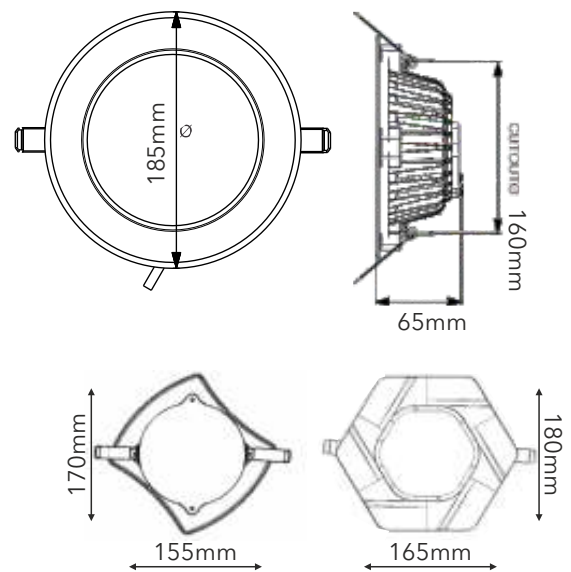
- * Add "R" as suffix with TK number to denote Round Bezel
- **Add "C" as suffix with TK number to denote Curvi Bezel
- # Add "H" as suffix with TK number to denote Hexa Bezel

Electrical connection

Mains connection is achieved via connection cable.

Electrical version

Electronic Switchable/Analog/DALI.
POE compatible version on request.



VARIANTS

10161537	Ambiella IND G3 LED 1250-830 ET	15 W, Electronic Switchable, 3000K
10161540	Ambiella IND G3 LED 1250-840 ET	15 W, Electronic Switchable, 4000K
10161543	Ambiella IND G3 LED 1250-857 ET	15 W, Electronic Switchable, 5700K
10161538	Ambiella IND G3 LED 1250-830 ETD	15 W, Analog Dimmable, 3000K
10161541	Ambiella IND G3 LED 1250-840 ETD	15 W, Analog Dimmable, 4000K
10161544	Ambiella IND G3 LED 1250-857 ETD	15 W, Analog Dimmable, 5700K
10161539	Ambiella IND G3 LED 1250-830 ETDD	15 W, DALI Dimmable, 3000K
10161542	Ambiella IND G3 LED 1250-840 ETDD	15 W, DALI Dimmable, 4000K
10161545	Ambiella IND G3 LED 1250-857 ETDD	15 W, DALI Dimmable, 5700K

TASK & DOWN LIGHTS

AMBIELLA IND G3



Ambiella IND G3 LED, 25 W

Luminaire type

Recessed LED downlight with round construction

Applications

Offices, Hospitality, Auditoriums, Classrooms, Staircases, Corridors, Foyers, Conference rooms, Retail areas, waiting zones.

Mounting methods

Recessed downlight for cut-out ceiling openings. Tool-free ceiling installation via rapid mounting springs. 255 mm diameter, Recess depth 65 mm, Cut out Diameter 225 mm, Weight 0.9 Kg

Optical system

Harmonious light effect due to homogeneously illuminated light emission. Cover of translucent PMMA.

LED system

Luminaire luminous flux 2250 lm Connected load 25 Watt, Luminous efficiency of luminaire 90 lm/W. Colour rendering index Ra > 80, Service life 50000 operating hours.

Luminaire body

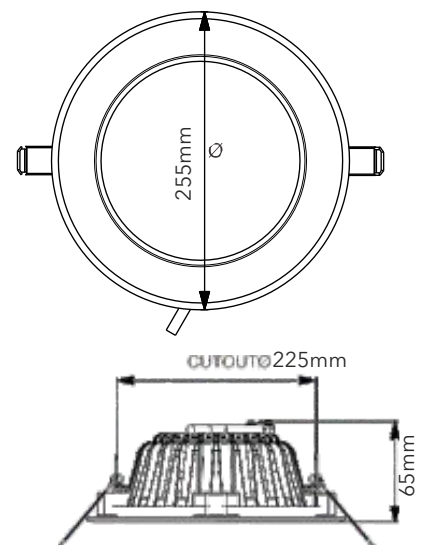
Pressure die-cast Aluminum. Bezel Option available. Rotund*

Electrical connection

Mains connection is achieved via connection cable.

Electrical version

Electronic Switchable/Analog/DALI.
POE compatible version on request.

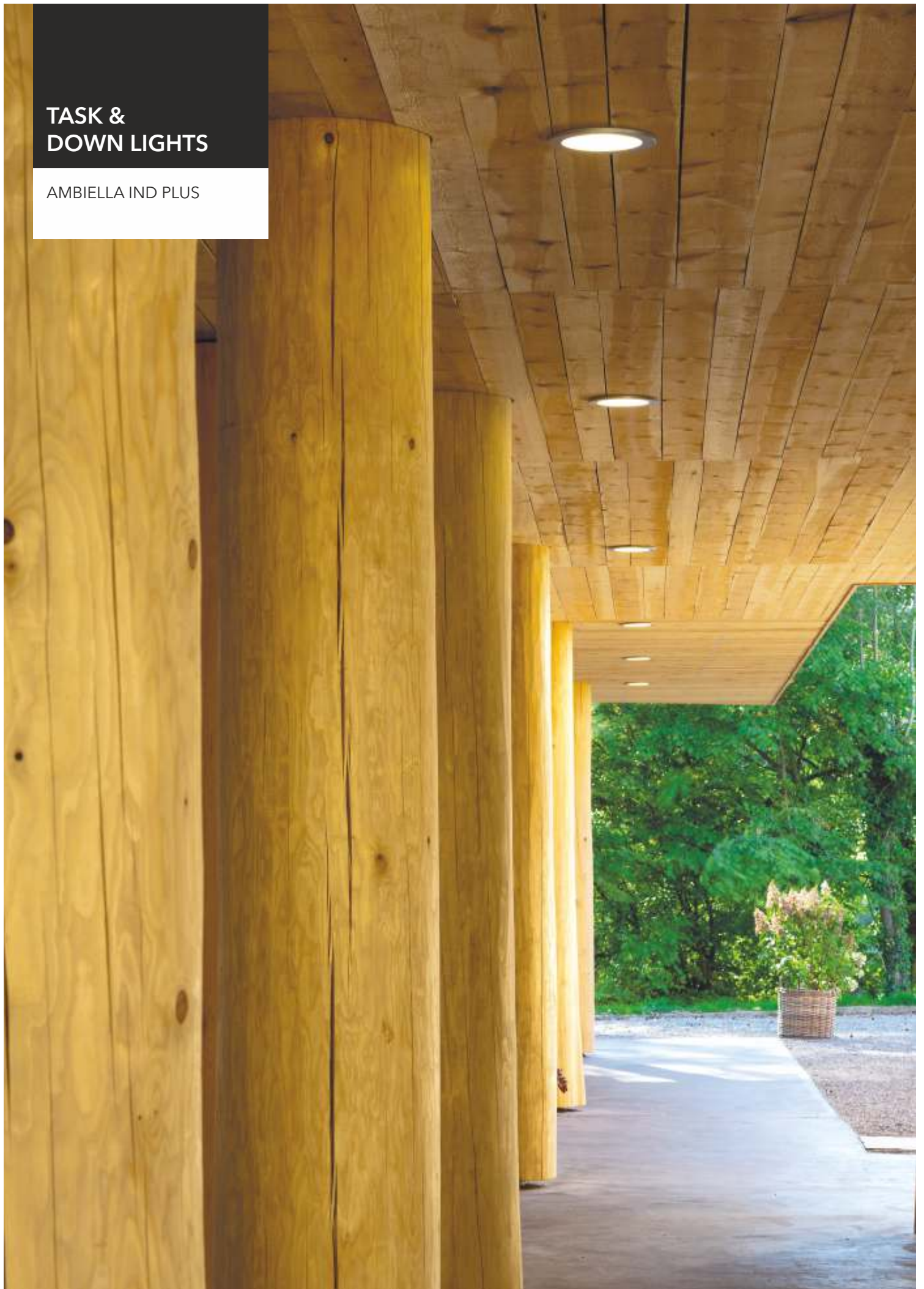


VARIANTS

10161555	Ambiella IND G3 LED 2125-830 ET	25 W, Electronic Switchable, 3000K
10161558	Ambiella IND G3 LED 2125-840 ET	25 W, Electronic Switchable, 4000K
10161561	Ambiella IND G3 LED 2125-857 ET	25 W, Electronic Switchable, 5700K
10161556	Ambiella IND G3 LED 2125-830 ETD	25 W, Analog Dimmable, 3000K
10161559	Ambiella IND G3 LED 2125-840 ETD	25 W, Analog Dimmable, 4000K
10161562	Ambiella IND G3 LED 2125-857 ETD	25 W, Analog Dimmable, 5700K
10161557	Ambiella IND G3 LED 2125-830 ETDD	25 W, DALI Dimmable, 3000K
10161560	Ambiella IND G3 LED 2125-840 ETDD	25 W, DALI Dimmable, 4000K
10161527	Ambiella IND G3 LED 2125-857 ETDD	25 W, DALI Dimmable, 5700K

**TASK &
DOWN LIGHTS**

AMBIELLA IND PLUS



Ambiella IND Plus G3 LED, 12 W

Luminaire type

Compact LED downlight with round construction.

Applications

Offices, Corridors, Foyers, Conference rooms,
Retail areas, waiting zones.

Mounting methods

Recessed downlight for cut-out ceiling openings. Tool-free ceiling installation via rapid mounting springs. Housing Dia 145mm. Cut-out opening 125 mm diameter, Ceiling Clearance 70 mm.

Optical system

Harmonious light effect due to homogeneously illuminated light emission. Cover of translucent PMMA.

LED system

Luminaire luminous flux 1080 lm Connected load 12 Watt, Luminous efficiency of luminaire 90 lm/W. Colour rendering index Ra > 80, Service life 50000 operating hours.

Luminaire body

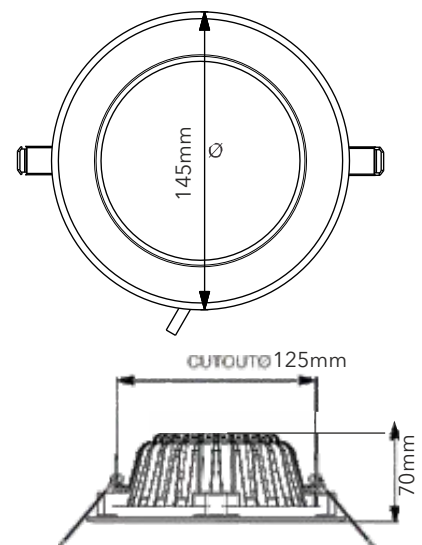
Ceiling rim and heat sink of die-cast Aluminum. Luminaire body and heat sink form a compact unit.

Electrical connection

Mains connection is achieved via connection cable.

Electrical version

Electronic Switchable/Analog/DALI.
POE compatible version on request.

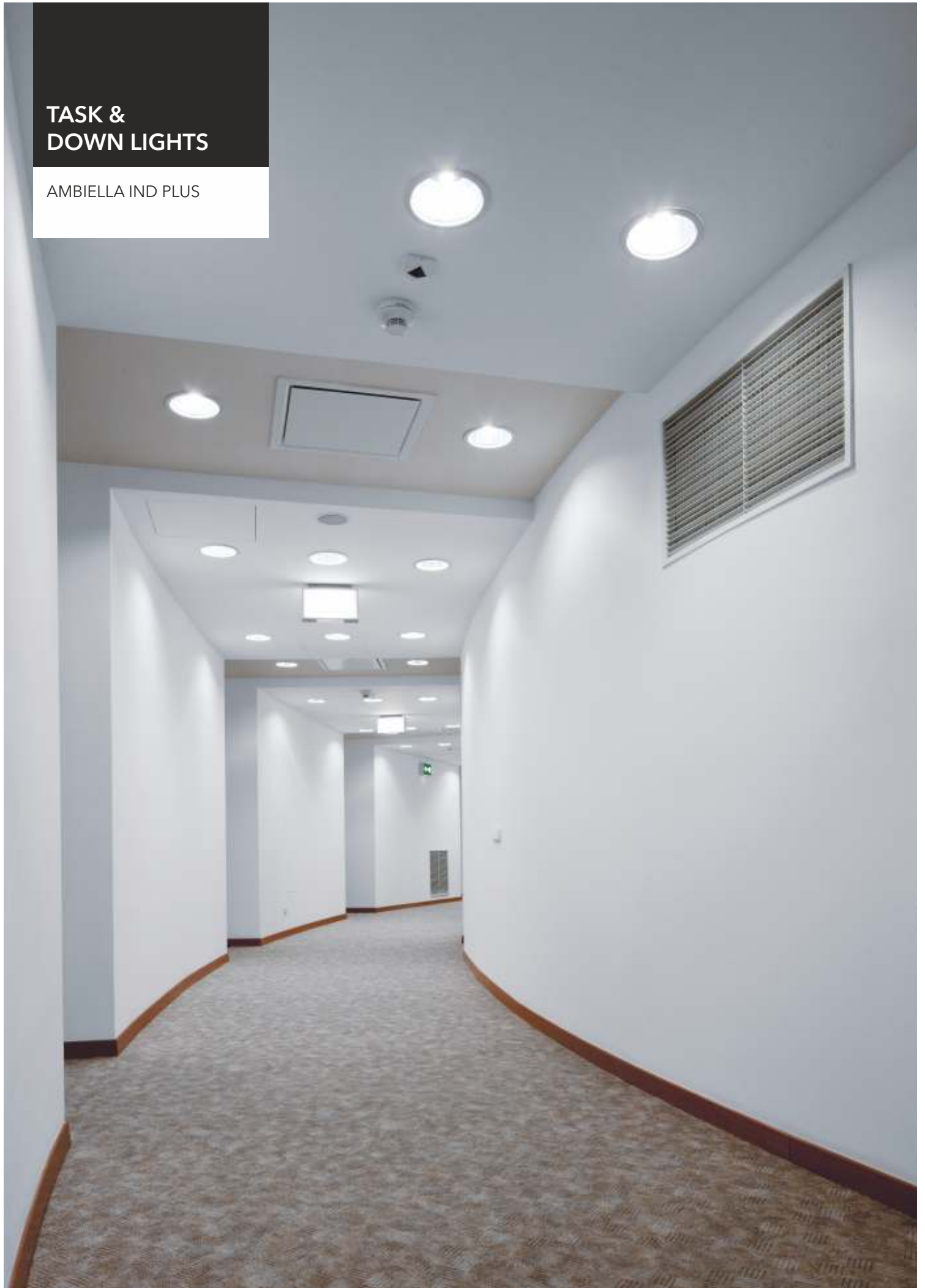


VARIANTS

1015549	Ambiella Plus IND G3 LED 1000-830 ET	12W, Electronic Switchable, 3000K
1015552	Ambiella Plus IND G3 LED 1000-840 ET	12W, Electronic Switchable, 4000K
1015555	Ambiella Plus IND G3 LED 1000-857 ET	12W, Electronic Switchable, 5700K
1015551	Ambiella Plus IND G3 LED 1000-830 ETD	12W, Analog Dimmable, 3000K
1015554	Ambiella Plus IND G3 LED 1000-840 ETD	12W, Analog Dimmable, 4000K
1015557	Ambiella Plus IND G3 LED 1000-857 ETD	12W, Analog Dimmable, 5700K
1015550	Ambiella Plus IND G3 LED 1000-830 ETDD	12W, DALI Dimmable, 3000 K
1015553	Ambiella Plus IND G3 LED 1000-840 ETDD	12W, DALI Dimmable, 4000K
1015556	Ambiella Plus IND G3 LED 1000-857 ETDD	12W, DALI Dimmable, 5700K

TASK & DOWN LIGHTS

AMBIELLA IND PLUS



Ambiella IND Plus G3 LED, 15 W

Luminaire type

Compact LED downlight with round construction.

Applications

Offices, Corridors, Foyers, Conference rooms,
Retail areas, waiting zones.

Mounting methods

Recessed downlight for cut-out ceiling openings. Tool-free ceiling installation via rapid mounting springs. Housing Dia 145mm. Cut-out opening 125 mm diameter, Ceiling Clearance 70 mm.

Optical system

Harmonious light effect due to homogeneously illuminated light emission. Cover of translucent PMMA.

LED system

Luminaire luminous flux 1350 lm Connected load 15 Watt, Luminous efficiency of luminaire 90 lm/W. Colour rendering index Ra > 80, Service life 50000 operating hours.

Luminaire body

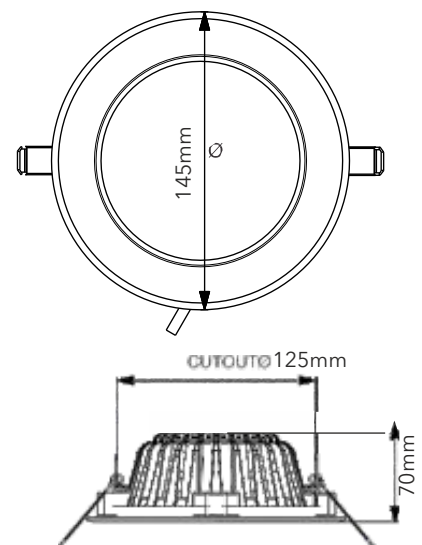
Ceiling rim and heat sink of die-cast Aluminum. Luminaire body and heat sink form a compact unit.

Electrical connection

Mains connection is achieved via connection cable.

Electrical version

Electronic Switchable/Analog/DALI.
POE compatible version on request.

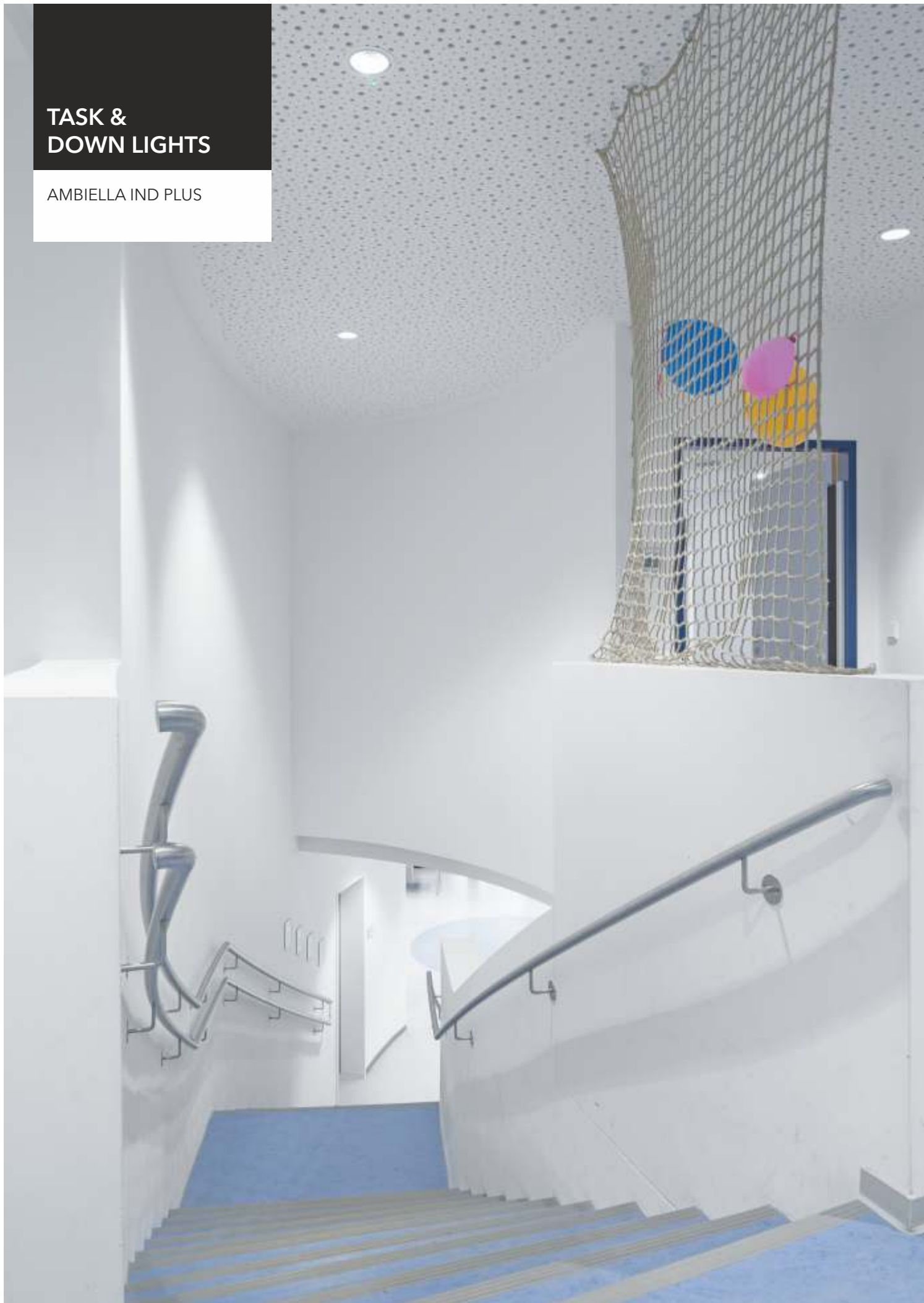


VARIANTS

10155558	Ambiella Plus IND G3 LED 1275-830 ET	15W, Electronic Switchable, 3000K
10155561	Ambiella Plus IND G3 LED 1275-840 ET	15W, Electronic Switchable, 4000K
10155564	Ambiella Plus IND G3 LED 1275-857 ET	15W, Electronic Switchable, 5700K
10155560	Ambiella Plus IND G3 LED 1275-830 ETD	15W, Analog Dimmable, 3000K
10155563	Ambiella Plus IND G3 LED 1275-840 ETD	15W, Analog Dimmable, 4000K
10155566	Ambiella Plus IND G3 LED 1275-857 ETD	15W, Analog Dimmable, 5700K
10155559	Ambiella Plus IND G3 LED 1275-830 ETDD	15W, DALI Dimmable, 3000K
10155562	Ambiella Plus IND G3 LED 1275-840 ETDD	15W, DALI Dimmable, 4000K
10155565	Ambiella Plus IND G3 LED 1275-857 ETDD	15W, DALI Dimmable, 5700K

TASK & DOWN LIGHTS

AMBIELLA IND PLUS



Ambiella IND Plus G3 LED, 18 W

Luminaire type

Compact LED downlight with round construction.

Applications

Offices, Corridors, Foyers, Conference rooms,
Retail areas, waiting zones.

Mounting methods

Recessed downlight for cut-out ceiling openings. Tool-free ceiling installation via rapid mounting springs. Housing Dia 145mm. Cut-out opening 125 mm diameter, Ceiling Clearance 70 mm

Optical system

Harmonious light effect due to homogeneously illuminated light emission. Cover of translucent PMMA.

LED system

Luminaire luminous flux 1620 lm Connected load 18 Watt, Luminous efficiency of luminaire 90 lm/W. Colour rendering index Ra > 80, Service life 50000 operating hours.

Luminaire body

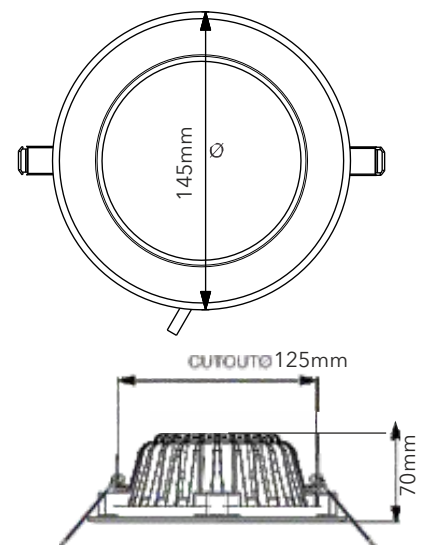
Ceiling rim and heat sink of die-cast Aluminum. Luminaire body and heat sink form a compact unit.

Electrical connection

Mains connection is achieved via connection cable.

Electrical version

Electronic Switchable/Analog/DALI.
POE compatible version on request.



VARIANTS

10155567	Ambiella Plus IND G3 LED 1530-830 ET	18W Electronic Switchable, 3000K
10155570	Ambiella Plus IND G3 LED 1530-840 ET	18W, Electronic Switchable, 4000K
10155573	Ambiella Plus IND G3 LED 1530-857 ET	18W, Electronic Switchable, 5700K
10155569	Ambiella Plus IND G3 LED 1530-830 ETD	18W, Analog Dimmable, 3000K
10155572	Ambiella Plus IND G3 LED 1530-840 ETD	18W, Analog Dimmable, 4000K
10155575	Ambiella Plus IND G3 LED 1530-857 ETD	18W, Analog Dimmable, 5700K
10155568	Ambiella Plus IND G3 LED 1530-830 ETDD	18W, DALI Dimmable, 3000K
10155571	Ambiella Plus IND G3 LED 1530-840 ETDD	18W, DALI Dimmable, 4000K
10155574	Ambiella Plus IND G3 LED 1530-857 ETDD	18W, DALI Dimmable, 5700K

TASK & DOWN LIGHTS

Ambiella D IND



Ambiella D IND LED 14W

Luminaire type

Surface Mounted LED Downlight with cylindrical construction.

Applications

Offices, Corridors, Lobbies, Guest Rooms.

Mounting Method

Surface mounted downlight, cylindrical for exposed ceilings.
Housing Dia 109 mm, height 75 mm.

Optical System

Cover of translucent PMMA with direct light distribution.
Harmonious light effect due to homogenously illuminated light emission.

LED System

Luminaire flux 1260 Lm, Nominal Input Power 14 W, Luminous efficiency of 90 Lm/W. Colour rendering index > 80. Service Life 50,000 Hrs.

Luminaire Body

Aluminum Housing, Powder Coated

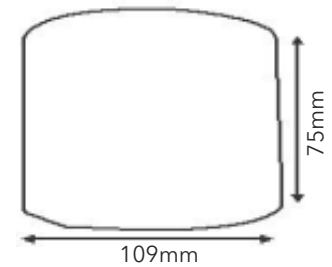
Electrical Connection

Main connection is achieved via connection cable

Electrical Version

Electronic Switchable

POE Compatible version on request

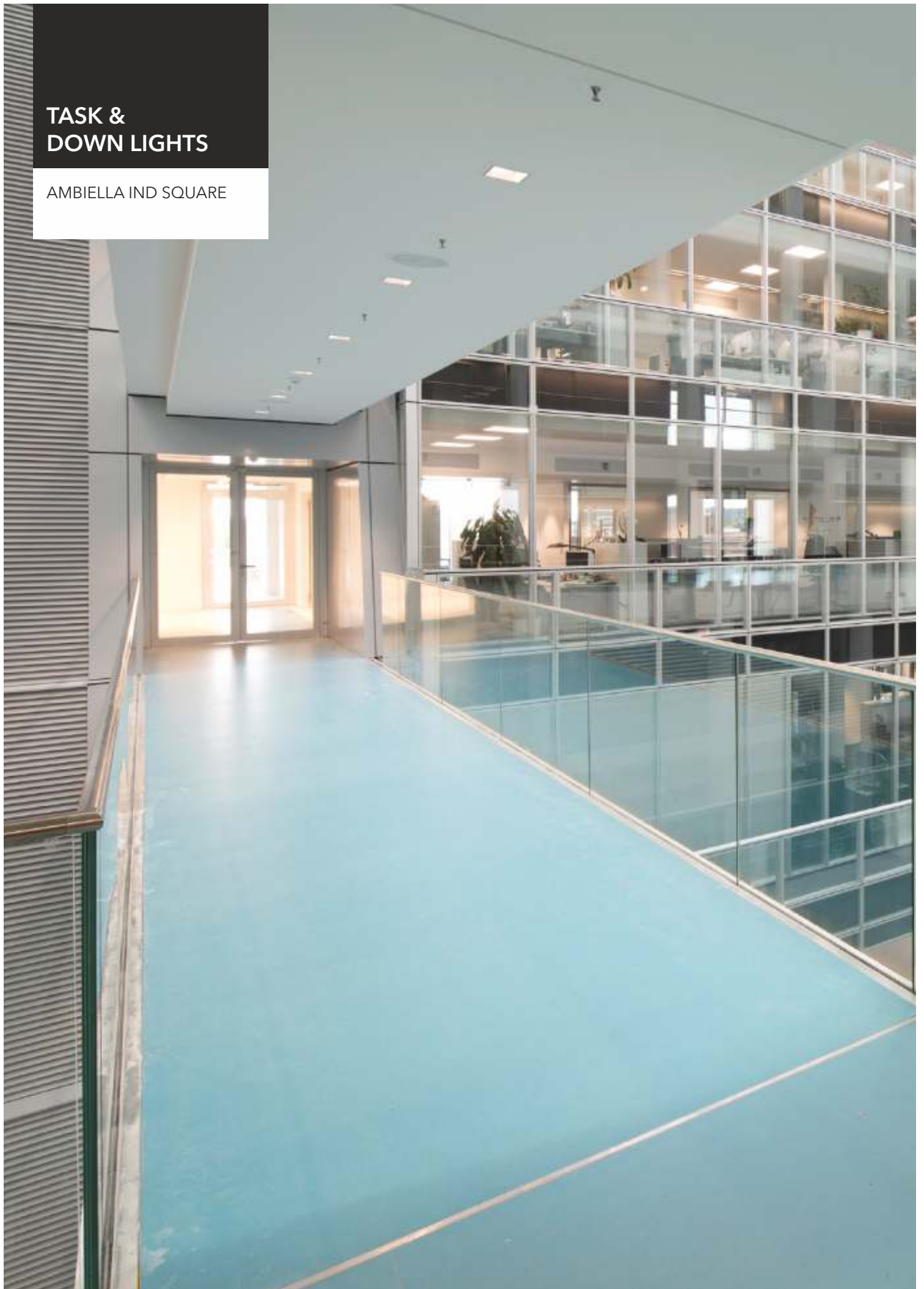


VARIANTS

10139554	Ambiella D IND LED 1000-840 ET 01	14 W, Electronic Switchable, 4000K
10139555	Ambiella D IND LED 1000-860 ET 01	14 W, Electronic Switchable, 5700K

TASK & DOWN LIGHTS

AMBIELLA IND SQUARE



Ambiella IND Square G3 LED 10 W

Luminaire type

Compact LED downlight with square construction.

Applications

Offices, Corridors, Foyers, Conference rooms,
Retail areas, waiting zones.

Mounting methods

Recessed downlight for cut-out ceiling openings. Tool-free ceiling installation via rapid mounting springs. Housing dimensions 135x135x48mm Cut-out opening 120 mm x 120 mm, Ceiling Clearance 50 mm.

Optical system

Harmonious light effect due to homogeneously illuminated light emission. Cover of translucent PMMA.

LED system

Luminaire luminous flux 900 lm Connected load 10 Watt, Luminous efficiency of luminaire 90 lm/W. Colour rendering index Ra > 80, Service life 50000 operating hours.

Luminaire body

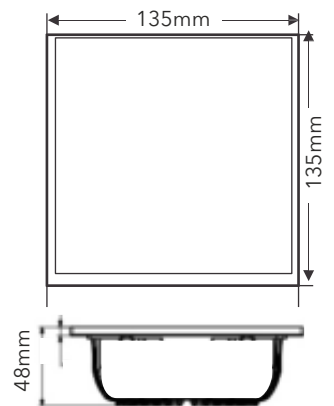
Ceiling rim and heat sink of die-cast Aluminum. Luminaire body and heat sink form a compact unit.

Electrical connection

Mains connection is achieved via connection cable.

Electrical version

Electronic Switchable/Analog/DALI.
POE compatible version on request.

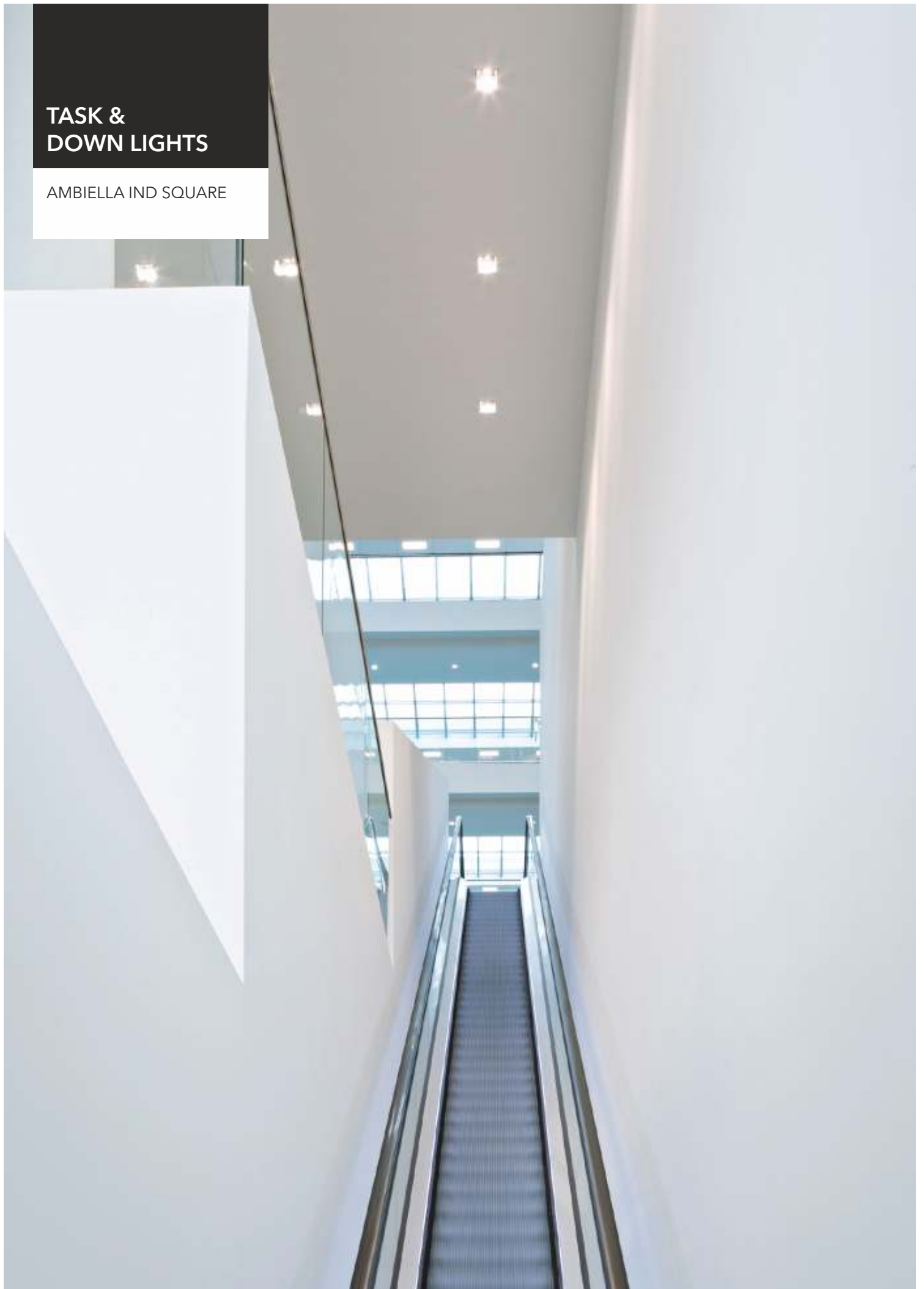


VARIANTS

10152613	Ambiella IND Square G3 LED 900-840 ET	10W, Electronic Switchable, 4000K
10152616	Ambiella IND Square G3 LED 900-857 ET	10W, Electronic Switchable, 5700K
10152615	Ambiella IND Square G3 LED 900-840 ETD	10W, Analog Dimmable, 4000K
10152618	Ambiella IND Square G3 LED 900-857 ETD	10W, Analog Dimmable, 5700K
10152614	Ambiella IND Square G3 LED 900-840 ETDD	10W, DALI Dimmable, 4000K
10152617	Ambiella IND Square G3 LED 900-857 ETDD	10W, DALI Dimmable, 5700K

TASK & DOWN LIGHTS

AMBIELLA IND SQUARE



Ambiella IND Square G3 LED 12 W

Luminaire type

Compact LED downlight with square construction.

Applications

Offices, Corridors, Foyers, Conference rooms,
Retail areas, waiting zones.

Mounting methods

Recessed downlight for cut-out ceiling openings. Tool-free ceiling installation via rapid mounting springs. Housing dimensions 135x135x48mm Cut-out opening 120 mm x 120 mm, Ceiling Clearance 50 mm.

Optical system

Harmonious light effect due to homogeneously illuminated light emission. Cover of translucent PMMA.

LED system

Luminaire luminous flux 1080 lm Connected load 12 Watt, Luminous efficiency of luminaire 90 lm/W. Colour rendering index Ra > 80, Service life 50000 operating hours.

Luminaire body

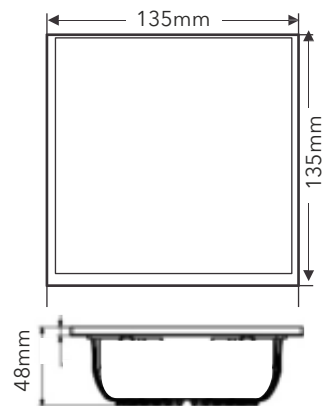
Ceiling rim and heat sink of die-cast Aluminum. Luminaire body and heat sink form a compact unit.

Electrical connection

Mains connection is achieved via connection cable.

Electrical version

Electronic Switchable/Analog/DALI.
POE compatible version on request.



VARIANTS

10152619	Ambiella IND Square G3 LED 1020-840 ET	12 W, Electronic Switchable, 4000K
10152622	Ambiella IND Square G3 LED 1020-857 ET	12 W, Electronic Switchable, 5700K
10152621	Ambiella IND Square G3 LED 1020-840 ETD	12 W, Analog Dimmable, 4000K
10152624	Ambiella IND Square G3 LED 1020-857 ETD	12 W, Analog Dimmable, 5700K
10152620	Ambiella IND Square G3 LED 1020-840 ETDD	12 W, DALI Dimmable, 4000K
10152623	Ambiella IND Square G3 LED 1020-857 ETDD	12 W, DALI Dimmable, 5700K

TASK & DOWN LIGHTS

AMBIELLA IND SQUARE



Ambiella IND Square G3 LED 15 W

Luminaire type

Compact LED downlight with square construction.

Applications

Offices, Corridors, Foyers, Conference rooms,
Retail areas, waiting zones.

Mounting methods

Recessed downlight for cut-out ceiling openings. Tool-free ceiling installation via rapid mounting springs. Housing dimensions 160x160x52mm Cut-out opening 150mm x 150mm, Ceiling Clearance 55 mm.

Optical system

Harmonious light effect due to homogeneously illuminated light emission. Cover of translucent PMMA.

LED system

Luminaire luminous flux 1350 lm Connected load 15 Watt, Luminous efficiency of luminaire 90 lm/W. Colour rendering index Ra > 80, Service life 50000 operating hours.

Luminaire body

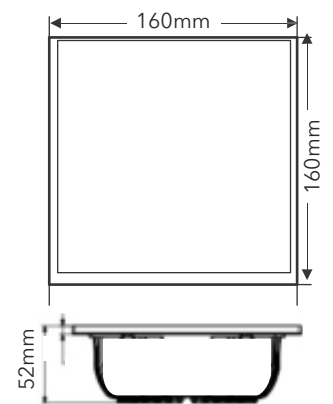
Ceiling rim and heat sink of die-cast Aluminum. Luminaire body and heat sink form a compact unit.

Electrical connection

Mains connection is achieved via connection cable.

Electrical version

Electronic Switchable/Analog/DALI.
POE compatible version on request.

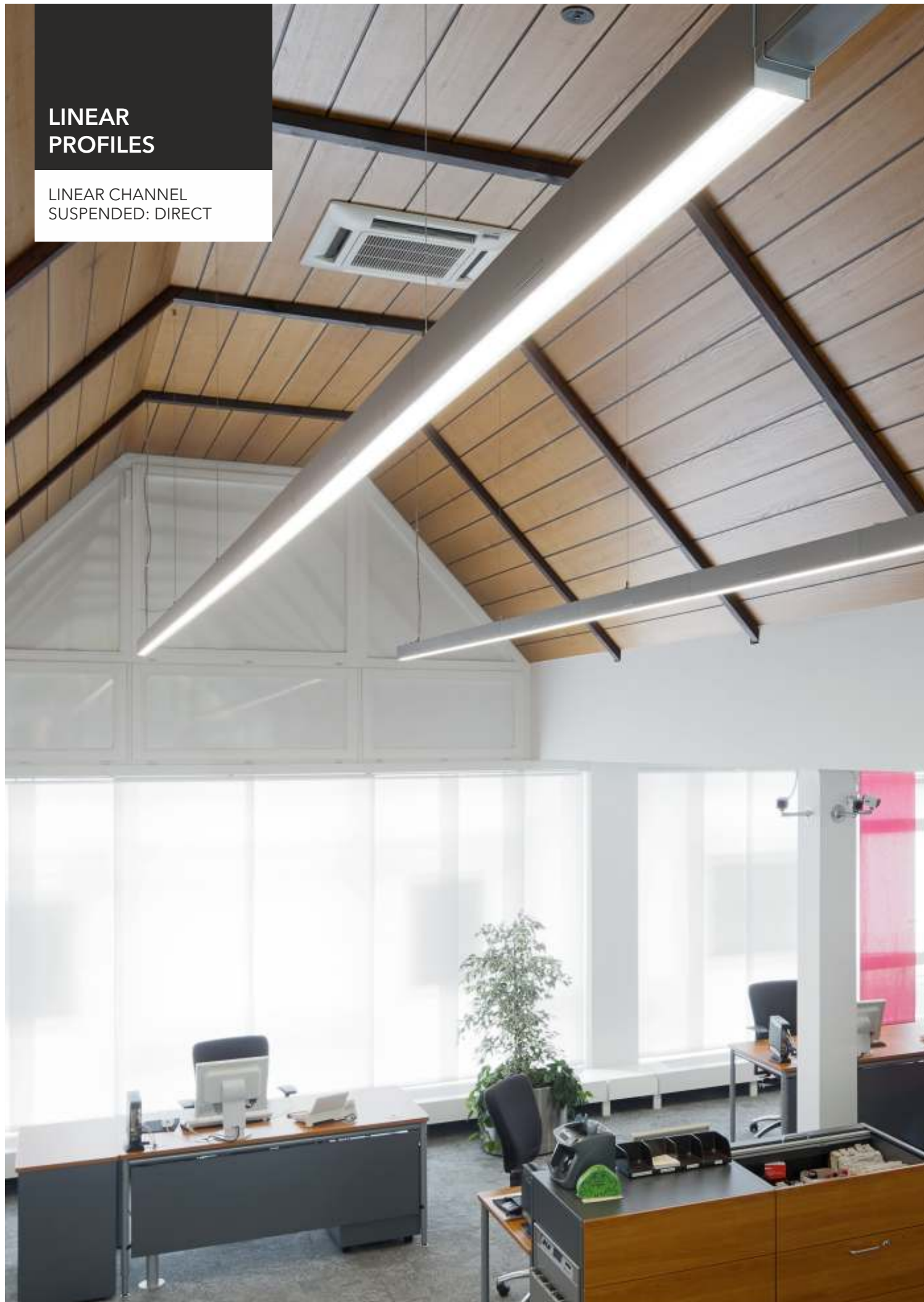


VARIANTS

10152625	Ambiella IND Square G3 LED 1275-840 ET	15W Electronic Switchable, 4000K
10152628	Ambiella IND Square G3 LED 1275-857 ET	15W Electronic Switchable, 5700K
10152627	Ambiella IND Square G3 LED 1275-840 ETD	15W Analog Dimmable, 4000K
10152630	Ambiella IND Square G3 LED 1275-857 ETD	15W Analog Dimmable, 5700K
10152626	Ambiella IND Square G3 LED 1275-840 ETDD	15W DALI Dimmable, 4000K
10152629	Ambiella IND Square G3 LED 1275-857 ETDD	15W DALI Dimmable, 5700K

LINEAR PROFILES

LINEAR CHANNEL
SUSPENDED: DIRECT



Linear Channel H OTA LED

Luminaire type

LED Suspended line luminaire with Direct Light Emission.

Application areas

Very slender suspended continuous line Luminaire with filigree cubic form for the visual and sensory illumination of conference and office areas, corridors, foyers, and exhibition and retail spaces Optical system With a finely structured, opal PMMA cover, integrated flush into the Luminaire body.

Mounting Types

Suspended with suitable suspension kit. Surface mounted option available on request.



LED system

Luminaire Efficiency 90 lm / W, connected load 14/28/56/84 Watt, Colour Temperature 3000/4000 / 5700 K. Colour rendering index Ra > 80, specific parameters For defining LED Service life 50000 operating hours.

Luminaire body

Luminaire body of Aluminum Extrusion.

Colour white/Anodized Grey.

Dimensions (L x W) 600/ 1200 / 2400 mm x 52 / 75mm.

3600 mm L on Request. Luminaire height 75mm. PMMA Diffuser.

Electrical version

Electronic Switchable/Analog/DALI.

POE compatible version on request.

Lumen Output

14W - 1300 Lm, 28 W - 2600 Lm, 56 W - 5200 Lm

Ordering Legend:

"L" = 600 / 1200 / 2400 mm. (3600 mm available on request)

"W" = 52 / 75 mm

"Lm" = 1300 Lm/ 2600 Lm/ 5200 Lm

"K" = 830 /840 / 857 for 3000 / 4000 / 5700 K;

"F" = 01 - White / 02 - Anodized Grey

Please order suitable profile connectors in required qty:

Straight / "T" Shape Horizontal / Vertical, "L" Shape Horizontal / vertical depending on formations.

VARIANTS

LCL H {L} OTA {W} LED {Lm} {K} ET {F}	Suspended Channel, Electronic Switchable
LCL H {L} OTA {W} LED {Lm} {K} ETD {F}	Suspended Channel, Analog Dimmable Driver
LCL H {L} OTA {W} LED {Lm} {K} ETDD {F}	Suspended Channel, DALI Dimmable Driver

LINEAR PROFILES

LINEAR CHANNEL
SUSPENDED:
DIRECT-INDIRECT



Linear Channel H1 OTA LED

Luminaire type

LED Suspended line luminaire with Direct Indirect Light Emission.

Application areas

Very slender suspended continuous line Luminaire with filigree cubic form for the visual and sensory illumination of conference and office areas, corridors, foyers, and exhibition and retail spaces

Mounting Type

Suspended, with suitable suspension kit



Optical system

With a finely structured, opal PMMA cover, integrated flush into the Luminaire body.

LED system

Luminaire Efficiency 90 lm / W, connected load 20/42/84 Watt, Colour Temperature 3000/4000 / 5700 K. Colour rendering index Ra > 80, Service life 50000 operating hours. 20W - 1800 Lm, 42 W - 3900 Lm, 84 W - 7800 Lm

Luminaire body

Luminaire body of Aluminum Extrusion.
Colour white/Anodized Grey.
Dimensions (L x W) 600/ 1200 / 2400 mm x 52 / 75mm.
3600 mm L on Request. Luminaire height 100 mm. PMMA Diffuser.

Electrical version

Electronic Switchable/Analog/DALI.
POE compatible version on request.

Ordering Legend:

"L" = 600 / 1200 / 2400 mm. (3600 mm available on request)
"W" = 52 / 75 mm
"Lm" = 1800 Lm/ 3900 Lm/ 7800 Lm
"K" = 830 /840 / 857 for 3000 / 4000 / 5700 K;
"F" = 01 - White / 02 - Anodized Grey
Please order suitable profile connectors in required qty:
Straight / "T" Shape Horizontal / Vertical, "L" Shape Horizontal / vertical depending on formations.

VARIANTS

LCL H1 {L} OTA {W} LED {Lm} {K} ET {F}	Suspended Channel, Electronic Switchable
LCL H1 {L} OTA {W} LED {Lm} {K} ETD {F}	Suspended Channel, Analog Dimmable Driver
LCL H1 {L} OTA {W} LED {Lm} {K} ETDD {F}	Suspended Channel, DALI Dimmable Driver

LINEAR PROFILES

LINEAR CHANNEL
RECESSED



Linear Channel C OTA LED

Luminaire type

LED line luminaire, Recessed with Direct Light Emission.

Application areas

Very slender recessed continuous line luminaire with filigree cubic form for the visual and sensory illumination of conference and office areas, corridors, foyers, and exhibition and retail spaces

Mounting Types

For system ceilings with exposed grids, false ceilings.



Optical system

With a finely structured, opal PMMA cover, integrated flush into the Luminaire body.

LED system

Luminaire Efficiency 90 lm / W, connected load 14/28/56/84 Watt, Colour Temperature 3000/4000 / 5700 K. Colour rendering index Ra > 80, Service life 50000 operating hours. 14W - 1300 Lm, 28 W - 2600 Lm, 56 W - 5200 Lm

Luminaire body

Luminaire body of Aluminum Extrusion. Colour white/Anodized Grey. Dimensions (L x W) 600/ 1200 / 2400 mm x 65 / 100mm. 3600 mm L on Request. Luminaire height 35mm. PMMA Diffuser.

Electrical version

Electronic Switchable/Analog/DALI. POE compatible version on request.

Ordering Legend:

"L" = 600 / 1200 / 2400 mm. (3600 mm available on request)
 "W" = 65 / 100 mm
 "Lm" = 1300 Lm/ 2600 Lm/ 5200 Lm
 "K" = 830 /840 / 857 for 3000 / 4000 / 5700 K;
 "F" = 01 - White / 02 - Anodized Grey
 # Please order suitable profile connectors in required qty:
 Straight / "T" Shape Horizontal / Vertical, "L" Shape Horizontal / vertical depending on formations.

VARIANTS

LCL C {L} OTA {W} LED {Lm} {K} ET {F}	Recessed Channel, Electronic Switchable
LCL C {L} OTA {W} LED {Lm} {K} ETD {F}	Recessed Channel, Analog Dimmable Driver
LCL C {L} OTA {W} LED {Lm} {K} ETDD {F}	Recessed Channel, DALI Dimmable Driver

ORDERING LEGEND FOR LINEAR CHANNELS (LCL)

TK Number	Naming	"Power supply value W"
10165192	LCL C 1200 OTA 52 LED 2600-840 ET 01	28
10165193	LCL C 1200 OTA 52 LED 2600-840 ETD 01	28
10165194	LCL C 1200 OTA 52 LED 2600-840 ETDD 01	28
10165195	LCL C 1200 OTA 52 LED 2600-850 ET 01	28
10165196	LCL C 1200 OTA 52 LED 2600-850 ETD 01	28
10165197	LCL C 1200 OTA 52 LED 2600-850 ETDD 01	28
10165198	LCL C 1200 OTA 52 LED 2600-857 ET 01	28
10165199	LCL C 1200 OTA 52 LED 2600-857 ETD 01	28
10165200	LCL C 1200 OTA 52 LED 2600-857 ETDD 01	28
10165201	LCL C 1200 OTA 52 LED 2600-840 ET 02	28
10165202	LCL C 1200 OTA 52 LED 2600-840 ETD 02	28
10165203	LCL C 1200 OTA 52 LED 2600-840 ETDD 02	28
10165204	LCL C 1200 OTA 52 LED 2600-850 ET 02	28
10165205	LCL C 1200 OTA 52 LED 2600-850 ETD 02	28
10165206	LCL C 1200 OTA 52 LED 2600-850 ETDD 02	28
10165207	LCL C 1200 OTA 52 LED 2600-857 ET 02	28
10165208	LCL C 1200 OTA 52 LED 2600-857 ETD 02	28
10165209	LCL C 1200 OTA 52 LED 2600-857 ETDD 02	28
10165210	LCL H 1200 OTA 52 LED 2600-840 ET 01	28
10165211	LCL H 1200 OTA 52 LED 2600-840 ETD 01	28
10165212	LCL H 1200 OTA 52 LED 2600-840 ETDD 01	28
10165213	LCL H 1200 OTA 52 LED 2600-850 ET 01	28
10165214	LCL H 1200 OTA 52 LED 2600-850 ETD 01	28
10165215	LCL H 1200 OTA 52 LED 2600-850 ETDD 01	28
10165216	LCL H 1200 OTA 52 LED 2600-857 ET 01	28
10165217	LCL H 1200 OTA 52 LED 2600-857 ETD 01	28
10165218	LCL H 1200 OTA 52 LED 2600-857 ETDD 01	28
10165219	LCL H 1200 OTA 52 LED 2600-840 ET 02	28
10165220	LCL H 1200 OTA 52 LED 2600-840 ETD 02	28
10165221	LCL H 1200 OTA 52 LED 2600-840 ETDD 02	28
10165222	LCL H 1200 OTA 52 LED 2600-850 ET 02	28
10165223	LCL H 1200 OTA 52 LED 2600-850 ETD 02	28
10165224	LCL H 1200 OTA 52 LED 2600-850 ETDD 02	28
10165225	LCL H 1200 OTA 52 LED 2600-857 ET 02	28
10165226	LCL H 1200 OTA 52 LED 2600-857 ETD 02	28
10165227	LCL H 1200 OTA 52 LED 2600-857 ETDD 02	28
10165228	LCL H1 1200 OTA 52 LED 3900-840 ET 01	42
10165229	LCL H1 1200 OTA 52 LED 3900-840 ETD 01	42
10165230	LCL H1 1200 OTA 52 LED 3900-840 ETDD 01	42
10165231	LCL H1 1200 OTA 52 LED 3900-850 ET 01	42
10165232	LCL H1 1200 OTA 52 LED 3900-850 ETD 01	42
10165233	LCL H1 1200 OTA 52 LED 3900-850 ETDD 01	42
10165234	LCL H1 1200 OTA 52 LED 3900-857 ET 01	42
10165235	LCL H1 1200 OTA 52 LED 3900-857 ETD 01	42

ORDERING LEGEND FOR LINEAR CHANNELS (LCL)

TK Number	Naming	"Power supply value W"
10165236	LCL H1 1200 OTA 52 LED 3900-857 ETDD 01	42
10165237	LCL H1 1200 OTA 52 LED 3900-840 ET 02	42
10165238	LCL H1 1200 OTA 52 LED 3900-840 ETD 02	42
10165239	LCL H1 1200 OTA 52 LED 3900-840 ETDD 02	42
10165240	LCL H1 1200 OTA 52 LED 3900-850 ET 02	42
10165241	LCL H1 1200 OTA 52 LED 3900-850 ETD 02	42
10165242	LCL H1 1200 OTA 52 LED 3900-850 ETDD 02	42
10165243	LCL H1 1200 OTA 52 LED 3900-857 ET 02	42
10165244	LCL H1 1200 OTA 52 LED 3900-857 ETD 02	42
10165245	LCL H1 1200 OTA 52 LED 3900-857 ETDD 02	42
10165246	LCL D 1200 OTA 52 LED 2600-840 ET 01	28
10165247	LCL D 1200 OTA 52 LED 2600-840 ETD 01	28
10165248	LCL D 1200 OTA 52 LED 2600-840 ETDD 01	28
10165249	LCL D 1200 OTA 52 LED 2600-850 ET 01	28
10165250	LCL D 1200 OTA 52 LED 2600-850 ETD 01	28
10165251	LCL D 1200 OTA 52 LED 2600-850 ETDD 01	28
10165252	LCL D 1200 OTA 52 LED 2600-857 ET 01	28
10165253	LCL D 1200 OTA 52 LED 2600-857 ETD 01	28
10165254	LCL D 1200 OTA 52 LED 2600-857 ETDD 01	28
10165255	LCL D 1200 OTA 52 LED 2600-840 ET 02	28
10165256	LCL D 1200 OTA 52 LED 2600-840 ETD 02	28
10165257	LCL D 1200 OTA 52 LED 2600-840 ETDD 02	28
10165258	LCL D 1200 OTA 52 LED 2600-850 ET 02	28
10165259	LCL D 1200 OTA 52 LED 2600-850 ETD 02	28
10165260	LCL D 1200 OTA 52 LED 2600-850 ETDD 02	28
10165261	LCL D 1200 OTA 52 LED 2600-857 ET 02	28
10165262	LCL D 1200 OTA 52 LED 2600-857 ETD 02	28
10165263	LCL D 1200 OTA 52 LED 2600-857 ETDD 02	28
10165264	LCL C 1200 OTA 75 LED 2600-840 ET 01	28
10165265	LCL C 1200 OTA 75 LED 2600-840 ETD 01	28
10165266	LCL C 1200 OTA 75 LED 2600-840 ETDD 01	28
10165267	LCL C 1200 OTA 75 LED 2600-850 ET 01	28
10165268	LCL C 1200 OTA 75 LED 2600-850 ETD 01	28
10165269	LCL C 1200 OTA 75 LED 2600-850 ETDD 01	28
10165270	LCL C 1200 OTA 75 LED 2600-857 ET 01	28
10165271	LCL C 1200 OTA 75 LED 2600-857 ETD 01	28
10165272	LCL C 1200 OTA 75 LED 2600-857 ETDD 01	28
10165273	LCL C 1200 OTA 75 LED 2600-840 ET 02	28
10165274	LCL C 1200 OTA 75 LED 2600-840 ETD 02	28
10165275	LCL C 1200 OTA 75 LED 2600-840 ETDD 02	28
10165276	LCL C 1200 OTA 75 LED 2600-850 ET 02	28
10165277	LCL C 1200 OTA 75 LED 2600-850 ETD 02	28
10165278	LCL C 1200 OTA 75 LED 2600-850 ETDD 02	28
10165279	LCL C 1200 OTA 75 LED 2600-857 ET 02	28

ORDERING LEGEND FOR LINEAR CHANNELS (LCL)

TK Number	Naming	"Power supply value W"
10165280	LCL C 1200 OTA 75 LED 2600-857 ETD 02	28
10165281	LCL C 1200 OTA 75 LED 2600-857 ETDD 02	28
10165282	LCL H 1200 OTA 75 LED 2600-840 ET 01	28
10165283	LCL H 1200 OTA 75 LED 2600-840 ETD 01	28
10165284	LCL H 1200 OTA 75 LED 2600-840 ETDD 01	28
10165285	LCL H 1200 OTA 75 LED 2600-850 ET 01	28
10165286	LCL H 1200 OTA 75 LED 2600-850 ETD 01	28
10165287	LCL H 1200 OTA 75 LED 2600-850 ETDD 01	28
10165288	LCL H 1200 OTA 75 LED 2600-857 ET 01	28
10165289	LCL H 1200 OTA 75 LED 2600-857 ETD 01	28
10165290	LCL H 1200 OTA 75 LED 2600-857 ETDD 01	28
10165291	LCL H 1200 OTA 75 LED 2600-840 ET 02	28
10165292	LCL H 1200 OTA 75 LED 2600-840 ETD 02	28
10165293	LCL H 1200 OTA 75 LED 2600-840 ETDD 02	28
10165294	LCL H 1200 OTA 75 LED 2600-850 ET 02	28
10165295	LCL H 1200 OTA 75 LED 2600-850 ETD 02	28
10165296	LCL H 1200 OTA 75 LED 2600-850 ETDD 02	28
10165297	LCL H 1200 OTA 75 LED 2600-857 ET 02	28
10165298	LCL H 1200 OTA 75 LED 2600-857 ETD 02	28
10165299	LCL H 1200 OTA 75 LED 2600-857 ETDD 02	28
10165300	LCL H1 1200 OTA 75 LED 3900-840 ET 01	42
10165301	LCL H1 1200 OTA 75 LED 3900-840 ETD 01	42
10165302	LCL H1 1200 OTA 75 LED 3900-840 ETDD 01	42
10165303	LCL H1 1200 OTA 75 LED 3900-850 ET 01	42
10165304	LCL H1 1200 OTA 75 LED 3900-850 ETD 01	42
10165305	LCL H1 1200 OTA 75 LED 3900-850 ETDD 01	42
10165306	LCL H1 1200 OTA 75 LED 3900-857 ET 01	42
10165307	LCL H1 1200 OTA 75 LED 3900-857 ETD 01	42
10165308	LCL H1 1200 OTA 75 LED 3900-857 ETDD 01	42
10165309	LCL H1 1200 OTA 75 LED 3900-840 ET 02	42
10165310	LCL H1 1200 OTA 75 LED 3900-840 ETD 02	42
10165311	LCL H1 1200 OTA 75 LED 3900-840 ETDD 02	42
10165312	LCL H1 1200 OTA 75 LED 3900-850 ET 02	42
10165313	LCL H1 1200 OTA 75 LED 3900-850 ETD 02	42
10165314	LCL H1 1200 OTA 75 LED 3900-850 ETDD 02	42
10165315	LCL H1 1200 OTA 75 LED 3900-857 ET 02	42
10165316	LCL H1 1200 OTA 75 LED 3900-857 ETD 02	42
10165317	LCL H1 1200 OTA 75 LED 3900-857 ETDD 02	42
10165318	LCL D 1200 OTA 75 LED 2600-840 ET 01	28
10165319	LCL D 1200 OTA 75 LED 2600-840 ETD 01	28
10165320	LCL D 1200 OTA 75 LED 2600-840 ETDD 01	28
10165321	LCL D 1200 OTA 75 LED 2600-850 ET 01	28
10165322	LCL D 1200 OTA 75 LED 2600-850 ETD 01	28
10165323	LCL D 1200 OTA 75 LED 2600-850 ETDD 01	28

ORDERING LEGEND FOR LINEAR CHANNELS (LCL)

TK Number	Naming	"Power supply value W"
10165324	LCL D 1200 OTA 75 LED 2600-857 ET 01	28
10165325	LCL D 1200 OTA 75 LED 2600-857 ETD 01	28
10165326	LCL D 1200 OTA 75 LED 2600-857 ETDD 01	28
10165327	LCL D 1200 OTA 75 LED 2600-840 ET 02	28
10165328	LCL D 1200 OTA 75 LED 2600-840 ETD 02	28
10165329	LCL D 1200 OTA 75 LED 2600-840 ETDD 02	28
10165330	LCL D 1200 OTA 75 LED 2600-850 ET 02	28
10165331	LCL D 1200 OTA 75 LED 2600-850 ETD 02	28
10165332	LCL D 1200 OTA 75 LED 2600-850 ETDD 02	28
10165333	LCL D 1200 OTA 75 LED 2600-857 ET 02	28
10165334	LCL D 1200 OTA 75 LED 2600-857 ETD 02	28
10165335	LCL D 1200 OTA 75 LED 2600-857 ETDD 02	28
10165336	LCL C 2400 OTA 52 LED 5200-840 ET 01	56
10165337	LCL C 2400 OTA 52 LED 5200-840 ETD 01	56
10165338	LCL C 2400 OTA 52 LED 5200-840 ETDD 01	56
10165339	LCL C 2400 OTA 52 LED 5200-850 ET 01	56
10165340	LCL C 2400 OTA 52 LED 5200-850 ETD 01	56
10165341	LCL C 2400 OTA 52 LED 5200-850 ETDD 01	56
10165342	LCL C 2400 OTA 52 LED 5200-857 ET 01	56
10165343	LCL C 2400 OTA 52 LED 5200-857 ETD 01	56
10165344	LCL C 2400 OTA 52 LED 5200-857 ETDD 01	56
10165345	LCL C 2400 OTA 52 LED 5200-840 ET 02	56
10165346	LCL C 2400 OTA 52 LED 5200-840 ETD 02	56
10165347	LCL C 2400 OTA 52 LED 5200-840 ETDD 02	56
10165348	LCL C 2400 OTA 52 LED 5200-850 ET 02	56
10165349	LCL C 2400 OTA 52 LED 5200-850 ETD 02	56
10165350	LCL C 2400 OTA 52 LED 5200-850 ETDD 02	56
10165351	LCL C 2400 OTA 52 LED 5200-857 ET 02	56
10165352	LCL C 2400 OTA 52 LED 5200-857 ETD 02	56
10165353	LCL C 2400 OTA 52 LED 5200-857 ETDD 02	56
10165354	LCL H 2400 OTA 52 LED 5200-840 ET 01	56
10165355	LCL H 2400 OTA 52 LED 5200-840 ETD 01	56
10165356	LCL H 2400 OTA 52 LED 5200-840 ETDD 01	56
10165357	LCL H 2400 OTA 52 LED 5200-850 ET 01	56
10165358	LCL H 2400 OTA 52 LED 5200-850 ETD 01	56
10165359	LCL H 2400 OTA 52 LED 5200-850 ETDD 01	56
10165360	LCL H 2400 OTA 52 LED 5200-857 ET 01	56
10165361	LCL H 2400 OTA 52 LED 5200-857 ETD 01	56
10165362	LCL H 2400 OTA 52 LED 5200-857 ETDD 01	56
10165363	LCL H 2400 OTA 52 LED 5200-840 ET 02	56
10165364	LCL H 2400 OTA 52 LED 5200-840 ETD 02	56
10165365	LCL H 2400 OTA 52 LED 5200-840 ETDD 02	56
10165366	LCL H 2400 OTA 52 LED 5200-850 ET 02	56
10165367	LCL H 2400 OTA 52 LED 5200-850 ETD 02	56

ORDERING LEGEND FOR LINEAR CHANNELS (LCL)

TK Number	Naming	"Power supply value W"
10165368	LCL H 2400 OTA 52 LED 5200-850 ETDD 02	56
10165369	LCL H 2400 OTA 52 LED 5200-857 ET 02	56
10165370	LCL H 2400 OTA 52 LED 5200-857 ETD 02	56
10165371	LCL H 2400 OTA 52 LED 5200-857 ETDD 02	56
10165372	LCL H1 2400 OTA 52 LED 7800-840 ET 01	84
10165373	LCL H1 2400 OTA 52 LED 7800-840 ETD 01	84
10165374	LCL H1 2400 OTA 52 LED 7800-840 ETDD 01	84
10165375	LCL H1 2400 OTA 52 LED 7800-850 ET 01	84
10165376	LCL H1 2400 OTA 52 LED 7800-850 ETD 01	84
10165377	LCL H1 2400 OTA 52 LED 7800-850 ETDD 01	84
10165378	LCL H1 2400 OTA 52 LED 7800-857 ET 01	84
10165379	LCL H1 2400 OTA 52 LED 7800-857 ETD 01	84
10165380	LCL H1 2400 OTA 52 LED 7800-857 ETDD 01	84
10165381	LCL H1 2400 OTA 52 LED 7800-840 ET 02	84
10165382	LCL H1 2400 OTA 52 LED 7800-840 ETD 02	84
10165383	LCL H1 2400 OTA 52 LED 7800-840 ETDD 02	84
10165384	LCL H1 2400 OTA 52 LED 7800-850 ET 02	84
10165385	LCL H1 2400 OTA 52 LED 7800-850 ETD 02	84
10165386	LCL H1 2400 OTA 52 LED 7800-850 ETDD 02	84
10165387	LCL H1 2400 OTA 52 LED 7800-857 ET 02	84
10165388	LCL H1 2400 OTA 52 LED 7800-857 ETD 02	84
10165389	LCL H1 2400 OTA 52 LED 7800-857 ETDD 02	84
10165390	LCL D 2400 OTA 52 LED 5200-840 ET 01	56
10165391	LCL D 2400 OTA 52 LED 5200-840 ETD 01	56
10165392	LCL D 2400 OTA 52 LED 5200-840 ETDD 01	56
10165393	LCL D 2400 OTA 52 LED 5200-850 ET 01	56
10165394	LCL D 2400 OTA 52 LED 5200-850 ETD 01	56
10165395	LCL D 2400 OTA 52 LED 5200-850 ETDD 01	56
10165396	LCL D 2400 OTA 52 LED 5200-857 ET 01	56
10165397	LCL D 2400 OTA 52 LED 5200-857 ETD 01	56
10165398	LCL D 2400 OTA 52 LED 5200-857 ETDD 01	56
10165399	LCL D 2400 OTA 52 LED 5200-840 ET 02	56
10165400	LCL D 2400 OTA 52 LED 5200-840 ETD 02	56
10165401	LCL D 2400 OTA 52 LED 5200-840 ETDD 02	56
10165402	LCL D 2400 OTA 52 LED 5200-850 ET 02	56
10165403	LCL D 2400 OTA 52 LED 5200-850 ETD 02	56
10165404	LCL D 2400 OTA 52 LED 5200-850 ETDD 02	56
10165405	LCL D 2400 OTA 52 LED 5200-857 ET 02	56
10165406	LCL D 2400 OTA 52 LED 5200-857 ETD 02	56
10165407	LCL D 2400 OTA 52 LED 5200-857 ETDD 02	56
10165408	LCL C 2400 OTA 75 LED 5200-840 ET 01	56
10165409	LCL C 2400 OTA 75 LED 5200-840 ETD 01	56
10165410	LCL C 2400 OTA 75 LED 5200-840 ETDD 01	56
10165411	LCL C 2400 OTA 75 LED 5200-850 ET 01	56

ORDERING LEGEND FOR LINEAR CHANNELS (LCL)

TK Number	Naming	"Power supply value W"
10165412	LCL C 2400 OTA 75 LED 5200-850 ETD 01	56
10165413	LCL C 2400 OTA 75 LED 5200-850 ETDD 01	56
10165414	LCL C 2400 OTA 75 LED 5200-857 ET 01	56
10165415	LCL C 2400 OTA 75 LED 5200-857 ETD 01	56
10165416	LCL C 2400 OTA 75 LED 5200-857 ETDD 01	56
10165417	LCL C 2400 OTA 75 LED 5200-840 ET 02	56
10165418	LCL C 2400 OTA 75 LED 5200-840 ETD 02	56
10165419	LCL C 2400 OTA 75 LED 5200-840 ETDD 02	56
10165420	LCL C 2400 OTA 75 LED 5200-850 ET 02	56
10165421	LCL C 2400 OTA 75 LED 5200-850 ETD 02	56
10165422	LCL C 2400 OTA 75 LED 5200-850 ETDD 02	56
10165423	LCL C 2400 OTA 75 LED 5200-857 ET 02	56
10165424	LCL C 2400 OTA 75 LED 5200-857 ETD 02	56
10165425	LCL C 2400 OTA 75 LED 5200-857 ETDD 02	56
10165426	LCL H 2400 OTA 75 LED 5200-840 ET 01	56
10165427	LCL H 2400 OTA 75 LED 5200-840 ETD 01	56
10165428	LCL H 2400 OTA 75 LED 5200-840 ETDD 01	56
10165429	LCL H 2400 OTA 75 LED 5200-850 ET 01	56
10165430	LCL H 2400 OTA 75 LED 5200-850 ETD 01	56
10165431	LCL H 2400 OTA 75 LED 5200-850 ETDD 01	56
10165432	LCL H 2400 OTA 75 LED 5200-857 ET 01	56
10165433	LCL H 2400 OTA 75 LED 5200-857 ETD 01	56
10165434	LCL H 2400 OTA 75 LED 5200-857 ETDD 01	56
10165435	LCL H 2400 OTA 75 LED 5200-840 ET 02	56
10165436	LCL H 2400 OTA 75 LED 5200-840 ETD 02	56
10165437	LCL H 2400 OTA 75 LED 5200-840 ETDD 02	56
10165438	LCL H 2400 OTA 75 LED 5200-850 ET 02	56
10165439	LCL H 2400 OTA 75 LED 5200-850 ETD 02	56
10165440	LCL H 2400 OTA 75 LED 5200-850 ETDD 02	56
10165441	LCL H 2400 OTA 75 LED 5200-857 ET 02	56
10165442	LCL H 2400 OTA 75 LED 5200-857 ETD 02	56
10165443	LCL H 2400 OTA 75 LED 5200-857 ETDD 02	56
10165444	LCL H1 2400 OTA 75 LED 7800-840 ET 01	84
10165445	LCL H1 2400 OTA 75 LED 7800-840 ETD 01	84
10165446	LCL H1 2400 OTA 75 LED 7800-840 ETDD 01	84
10165447	LCL H1 2400 OTA 75 LED 7800-850 ET 01	84
10165448	LCL H1 2400 OTA 75 LED 7800-850 ETD 01	84
10165449	LCL H1 2400 OTA 75 LED 7800-850 ETDD 01	84
10165450	LCL H1 2400 OTA 75 LED 7800-857 ET 01	84
10165451	LCL H1 2400 OTA 75 LED 7800-857 ETD 01	84
10165452	LCL H1 2400 OTA 75 LED 7800-857 ETDD 01	84
10165453	LCL H1 2400 OTA 75 LED 7800-840 ET 02	84
10165454	LCL H1 2400 OTA 75 LED 7800-840 ETD 02	84
10165455	LCL H1 2400 OTA 75 LED 7800-840 ETDD 02	84

ORDERING LEGEND FOR LINEAR CHANNELS (LCL)

TK Number	Naming	"Power supply value W"
10165456	LCL H1 2400 OTA 75 LED 7800-850 ET 02	84
10165457	LCL H1 2400 OTA 75 LED 7800-850 ETD 02	84
10165458	LCL H1 2400 OTA 75 LED 7800-850 ETDD 02	84
10165459	LCL H1 2400 OTA 75 LED 7800-857 ET 02	84
10165460	LCL H1 2400 OTA 75 LED 7800-857 ETD 02	84
10165461	LCL H1 2400 OTA 75 LED 7800-857 ETDD 02	84
10165462	LCL D 2400 OTA 75 LED 5200-840 ET 01	56
10165463	LCL D 2400 OTA 75 LED 5200-840 ETD 01	56
10165464	LCL D 2400 OTA 75 LED 5200-840 ETDD 01	56
10165465	LCL D 2400 OTA 75 LED 5200-850 ET 01	56
10165466	LCL D 2400 OTA 75 LED 5200-850 ETD 01	56
10165467	LCL D 2400 OTA 75 LED 5200-850 ETDD 01	56
10165468	LCL D 2400 OTA 75 LED 5200-857 ET 01	56
10165469	LCL D 2400 OTA 75 LED 5200-857 ETD 01	56
10165470	LCL D 2400 OTA 75 LED 5200-857 ETDD 01	56
10165471	LCL D 2400 OTA 75 LED 5200-840 ET 02	56
10165472	LCL D 2400 OTA 75 LED 5200-840 ETD 02	56
10165473	LCL D 2400 OTA 75 LED 5200-840 ETDD 02	56
10165474	LCL D 2400 OTA 75 LED 5200-850 ET 02	56
10165475	LCL D 2400 OTA 75 LED 5200-850 ETD 02	56
10165476	LCL D 2400 OTA 75 LED 5200-850 ETDD 02	56
10165477	LCL D 2400 OTA 75 LED 5200-857 ET 02	56
10165478	LCL D 2400 OTA 75 LED 5200-857 ETD 02	56
10165479	LCL D 2400 OTA 75 LED 5200-857 ETDD 02	56
10165480	LCL C 600 OTA 52 LED 1300-840 ET 01	14
10165481	LCL C 600 OTA 52 LED 1300-840 ETD 01	14
10165482	LCL C 600 OTA 52 LED 1300-840 ETDD 01	14
10165483	LCL C 600 OTA 52 LED 1300-850 ET 01	14
10165484	LCL C 600 OTA 52 LED 1300-850 ETD 01	14
10165485	LCL C 600 OTA 52 LED 1300-850 ETDD 01	14
10165486	LCL C 600 OTA 52 LED 1300-857 ET 01	14
10165487	LCL C 600 OTA 52 LED 1300-857 ETD 01	14
10165488	LCL C 600 OTA 52 LED 1300-857 ETDD 01	14
10165489	LCL C 600 OTA 52 LED 1300-840 ET 02	14
10165490	LCL C 600 OTA 52 LED 1300-840 ETD 02	14
10165491	LCL C 600 OTA 52 LED 1300-840 ETDD 02	14
10165492	LCL C 600 OTA 52 LED 1300-850 ET 02	14
10165493	LCL C 600 OTA 52 LED 1300-850 ETD 02	14
10165494	LCL C 600 OTA 52 LED 1300-850 ETDD 02	14
10165495	LCL C 600 OTA 52 LED 1300-857 ET 02	14
10165496	LCL C 600 OTA 52 LED 1300-857 ETD 02	14
10165497	LCL C 600 OTA 52 LED 1300-857 ETDD 02	14
10165498	LCL H 600 OTA 52 LED 1300-840 ET 01	14
10165499	LCL H 600 OTA 52 LED 1300-840 ETD 01	14

ORDERING LEGEND FOR LINEAR CHANNELS (LCL)

TK Number	Naming	"Power supply value W"
10165500	LCL H 600 OTA 52 LED 1300-840 ETDD 01	14
10165501	LCL H 600 OTA 52 LED 1300-850 ET 01	14
10165502	LCL H 600 OTA 52 LED 1300-850 ETD 01	14
10165503	LCL H 600 OTA 52 LED 1300-850 ETDD 01	14
10165504	LCL H 600 OTA 52 LED 1300-857 ET 01	14
10165505	LCL H 600 OTA 52 LED 1300-857 ETD 01	14
10165506	LCL H 600 OTA 52 LED 1300-857 ETDD 01	14
10165507	LCL H 600 OTA 52 LED 1300-840 ET 02	14
10165508	LCL H 600 OTA 52 LED 1300-840 ETD 02	14
10165509	LCL H 600 OTA 52 LED 1300-840 ETDD 02	14
10165510	LCL H 600 OTA 52 LED 1300-850 ET 02	14
10165511	LCL H 600 OTA 52 LED 1300-850 ETD 02	14
10165512	LCL H 600 OTA 52 LED 1300-850 ETDD 02	14
10165513	LCL H 600 OTA 52 LED 1300-857 ET 02	14
10165514	LCL H 600 OTA 52 LED 1300-857 ETD 02	14
10165515	LCL H 600 OTA 52 LED 1300-857 ETDD 02	14
10165516	LCL H1 600 OTA 52 LED 1800-840 ET 01	20
10165517	LCL H1 600 OTA 52 LED 1800-840 ETD 01	20
10165518	LCL H1 600 OTA 52 LED 1800-840 ETDD 01	20
10165519	LCL H1 600 OTA 52 LED 1800-850 ET 01	20
10165520	LCL H1 600 OTA 52 LED 1800-850 ETD 01	20
10165521	LCL H1 600 OTA 52 LED 1800-850 ETDD 01	20
10165522	LCL H1 600 OTA 52 LED 1800-857 ET 01	20
10165523	LCL H1 600 OTA 52 LED 1800-857 ETD 01	20
10165524	LCL H1 600 OTA 52 LED 1800-857 ETDD 01	20
10165525	LCL H1 600 OTA 52 LED 1800-840 ET 02	20
10165526	LCL H1 600 OTA 52 LED 1800-840 ETD 02	20
10165527	LCL H1 600 OTA 52 LED 1800-840 ETDD 02	20
10165528	LCL H1 600 OTA 52 LED 1800-850 ET 02	20
10165529	LCL H1 600 OTA 52 LED 1800-850 ETD 02	20
10165530	LCL H1 600 OTA 52 LED 1800-850 ETDD 02	20
10165531	LCL H1 600 OTA 52 LED 1800-857 ET 02	20
10165532	LCL H1 600 OTA 52 LED 1800-857 ETD 02	20
10165533	LCL H1 600 OTA 52 LED 1800-857 ETDD 02	20
10165534	LCL D 600 OTA 52 LED 1300-840 ET 01	14
10165535	LCL D 600 OTA 52 LED 1300-840 ETD 01	14
10165536	LCL D 600 OTA 52 LED 1300-840 ETDD 01	14
10165537	LCL D 600 OTA 52 LED 1300-850 ET 01	14
10165538	LCL D 600 OTA 52 LED 1300-850 ETD 01	14
10165539	LCL D 600 OTA 52 LED 1300-850 ETDD 01	14
10165540	LCL D 600 OTA 52 LED 1300-857 ET 01	14
10165541	LCL D 600 OTA 52 LED 1300-857 ETD 01	14
10165542	LCL D 600 OTA 52 LED 1300-857 ETDD 01	14
10165543	LCL D 600 OTA 52 LED 1300-840 ET 02	14

ORDERING LEGEND FOR LINEAR CHANNELS (LCL)

TK Number	Naming	"Power supply value W"
10165544	LCL D 600 OTA 52 LED 1300-840 ETD 02	14
10165545	LCL D 600 OTA 52 LED 1300-840 ETDD 02	14
10165546	LCL D 600 OTA 52 LED 1300-850 ET 02	14
10165547	LCL D 600 OTA 52 LED 1300-850 ETD 02	14
10165548	LCL D 600 OTA 52 LED 1300-850 ETDD 02	14
10165549	LCL D 600 OTA 52 LED 1300-857 ET 02	14
10165550	LCL D 600 OTA 52 LED 1300-857 ETD 02	14
10165551	LCL D 600 OTA 52 LED 1300-857 ETDD 02	14
10165552	LCL C 600 OTA 75 LED 1300-840 ET 01	14
10165553	LCL C 600 OTA 75 LED 1300-840 ETD 01	14
10165554	LCL C 600 OTA 75 LED 1300-840 ETDD 01	14
10165555	LCL C 600 OTA 75 LED 1300-850 ET 01	14
10165556	LCL C 600 OTA 75 LED 1300-850 ETD 01	14
10165557	LCL C 600 OTA 75 LED 1300-850 ETDD 01	14
10165558	LCL C 600 OTA 75 LED 1300-857 ET 01	14
10165559	LCL C 600 OTA 75 LED 1300-857 ETD 01	14
10165560	LCL C 600 OTA 75 LED 1300-857 ETDD 01	14
10165561	LCL C 600 OTA 75 LED 1300-840 ET 02	14
10165562	LCL C 600 OTA 75 LED 1300-840 ETD 02	14
10165563	LCL C 600 OTA 75 LED 1300-840 ETDD 02	14
10165564	LCL C 600 OTA 75 LED 1300-850 ET 02	14
10165565	LCL C 600 OTA 75 LED 1300-850 ETD 02	14
10165566	LCL C 600 OTA 75 LED 1300-850 ETDD 02	14
10165567	LCL C 600 OTA 75 LED 1300-857 ET 02	14
10165568	LCL C 600 OTA 75 LED 1300-857 ETD 02	14
10165569	LCL C 600 OTA 75 LED 1300-857 ETDD 02	14
10165570	LCL H 600 OTA 75 LED 1300-840 ET 01	14
10165571	LCL H 600 OTA 75 LED 1300-840 ETD 01	14
10165572	LCL H 600 OTA 75 LED 1300-840 ETDD 01	14
10165573	LCL H 600 OTA 75 LED 1300-850 ET 01	14
10165574	LCL H 600 OTA 75 LED 1300-850 ETD 01	14
10165575	LCL H 600 OTA 75 LED 1300-850 ETDD 01	14
10165576	LCL H 600 OTA 75 LED 1300-857 ET 01	14
10165577	LCL H 600 OTA 75 LED 1300-857 ETD 01	14
10165578	LCL H 600 OTA 75 LED 1300-857 ETDD 01	14
10165579	LCL H 600 OTA 75 LED 1300-840 ET 02	14
10165580	LCL H 600 OTA 75 LED 1300-840 ETD 02	14
10165581	LCL H 600 OTA 75 LED 1300-840 ETDD 02	14
10165582	LCL H 600 OTA 75 LED 1300-850 ET 02	14
10165583	LCL H 600 OTA 75 LED 1300-850 ETD 02	14
10165584	LCL H 600 OTA 75 LED 1300-850 ETDD 02	14
10165585	LCL H 600 OTA 75 LED 1300-857 ET 02	14
10165586	LCL H 600 OTA 75 LED 1300-857 ETD 02	14
10165587	LCL H 600 OTA 75 LED 1300-857 ETDD 02	14

ORDERING LEGEND FOR LINEAR CHANNELS (LCL)

TK Number	Naming	"Power supply value W"
10165588	LCL H1 600 OTA 75 LED 1800-840 ET 01	20
10165589	LCL H1 600 OTA 75 LED 1800-840 ETD 01	20
10165590	LCL H1 600 OTA 75 LED 1800-840 ETDD 01	20
10165591	LCL H1 600 OTA 75 LED 1800-850 ET 01	20
10165592	LCL H1 600 OTA 75 LED 1800-850 ETD 01	20
10165593	LCL H1 600 OTA 75 LED 1800-850 ETDD 01	20
10165594	LCL H1 600 OTA 75 LED 1800-857 ET 01	20
10165595	LCL H1 600 OTA 75 LED 1800-857 ETD 01	20
10165596	LCL H1 600 OTA 75 LED 1800-857 ETDD 01	20
10165597	LCL H1 600 OTA 75 LED 1800-840 ET 02	20
10165598	LCL H1 600 OTA 75 LED 1800-840 ETD 02	20
10165599	LCL H1 600 OTA 75 LED 1800-840 ETDD 02	20
10165600	LCL H1 600 OTA 75 LED 1800-850 ET 02	20
10165601	LCL H1 600 OTA 75 LED 1800-850 ETD 02	20
10165602	LCL H1 600 OTA 75 LED 1800-850 ETDD 02	20
10165603	LCL H1 600 OTA 75 LED 1800-857 ET 02	20
10165604	LCL H1 600 OTA 75 LED 1800-857 ETD 02	20
10165605	LCL H1 600 OTA 75 LED 1800-857 ETDD 02	20
10165606	LCL D 600 OTA 75 LED 1300-840 ET 01	14
10165607	LCL D 600 OTA 75 LED 1300-840 ETD 01	14
10165608	LCL D 600 OTA 75 LED 1300-840 ETDD 01	14
10165609	LCL D 600 OTA 75 LED 1300-850 ET 01	14
10165610	LCL D 600 OTA 75 LED 1300-850 ETD 01	14
10165611	LCL D 600 OTA 75 LED 1300-850 ETDD 01	14
10165612	LCL D 600 OTA 75 LED 1300-857 ET 01	14
10165613	LCL D 600 OTA 75 LED 1300-857 ETD 01	14
10165614	LCL D 600 OTA 75 LED 1300-857 ETDD 01	14
10165615	LCL D 600 OTA 75 LED 1300-840 ET 02	14
10165616	LCL D 600 OTA 75 LED 1300-840 ETD 02	14
10165617	LCL D 600 OTA 75 LED 1300-840 ETDD 02	14
10165618	LCL D 600 OTA 75 LED 1300-850 ET 02	14
10165619	LCL D 600 OTA 75 LED 1300-850 ETD 02	14
10165620	LCL D 600 OTA 75 LED 1300-850 ETDD 02	14
10165621	LCL D 600 OTA 75 LED 1300-857 ET 02	14
10165622	LCL D 600 OTA 75 LED 1300-857 ETD 02	14
10165623	LCL D 600 OTA 75 LED 1300-857 ETDD 02	14

FLAT PANEL FOR
SERVICED CEILINGS



Flat Panel for Serviced Ceilings

Luminaire type

Edge lit LED Panel for special recessed ceilings with exposed grids.

Applications

Offices, Conference rooms, retail areas, waiting zones.

Mounting methods

Recessed LED panel, tool-free ceiling installation, grid opening 1192 mm x 145 mm, Ceiling Clearance 50 mm.

Optical system

Harmonious light effect due to homogeneously illuminated light emission.

LED system

Luminaire luminous flux 2800 lm, connected load 28 W, luminous efficiency of luminaire 100 lm/W. Colour rendering index Ra > 80. Service life 50,000h UGR <19, Uniform Luminance without glare, IP 40.

Luminaire body

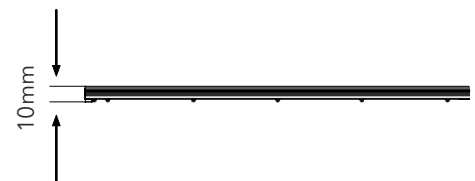
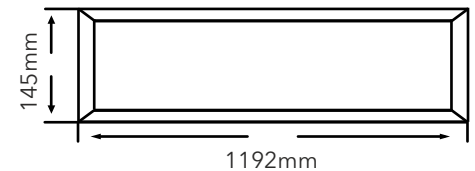
Aluminum luminaire body, white coated.

Electrical connection

Mains connection is achieved via connection cable.

Electrical version

Electronic Switchable/Analog/DALI.
POE compatible version on request.

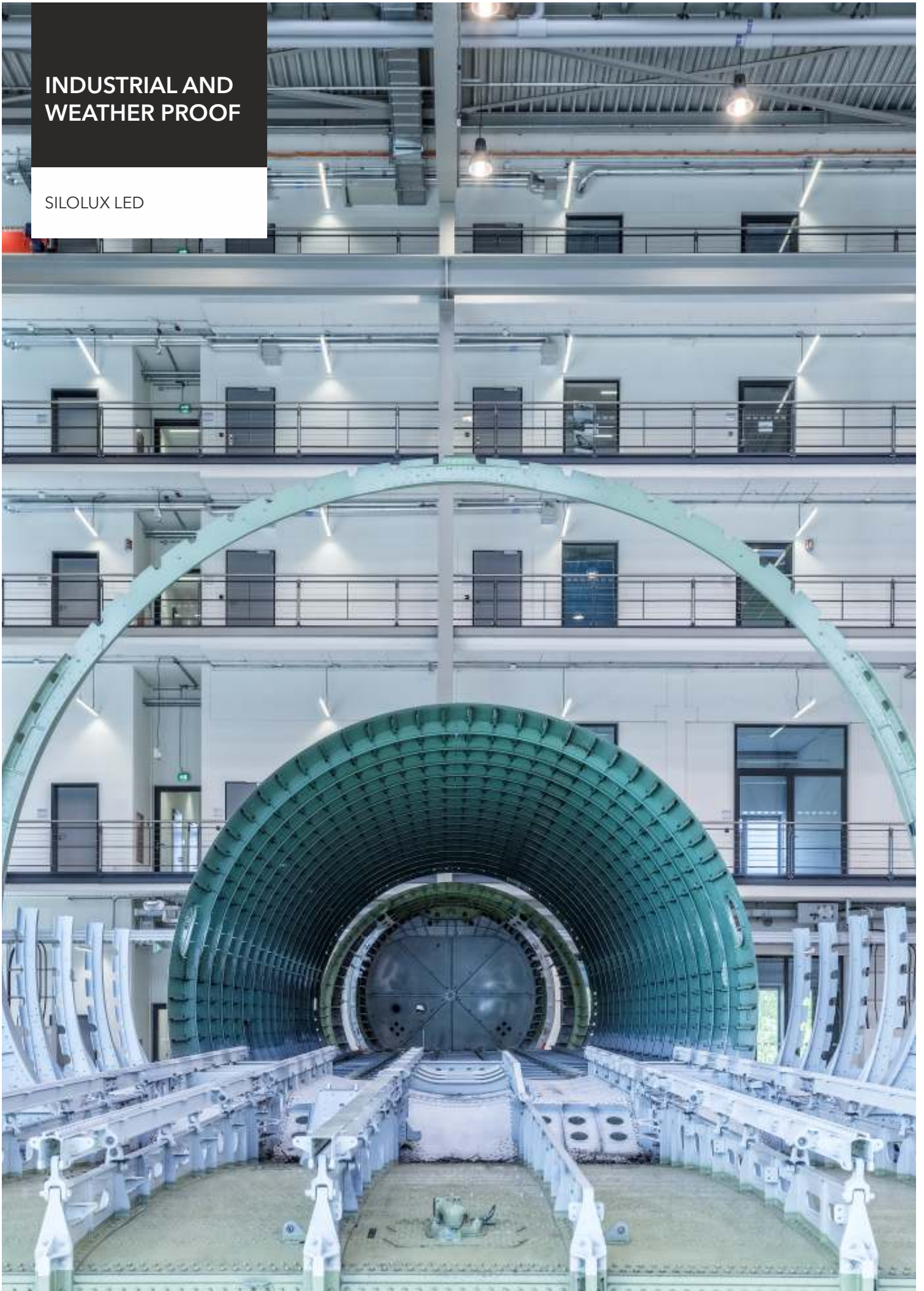


VARIANTS

10156210	Alindi TZ 1130 OTA LED 2400 830 ET01	28W, with electronic Switchable, 3000 K
10156209	Alindi TZ 1130 OTA LED 2400 840 ET 01	28W, with electronic Switchable, 4000 K
10156211	Alindi TZ 1130 OTA LED 2400 857 ET 01	28W, with electronic Switchable, 5700 K
10156213	Alindi TZ 1130 OTA LED 2400 830 ETDD 01	28W, with DALI Dimmable, 3000 K
10156212	Alindi TZ 1130 OTA LED 2400 840 ETDD 01	28W, with DALI Dimmable, 4000 K
10156214	Alindi TZ 1130 OTA LED 2400 857 ETDD 01	28W, with DALI Dimmable, 5700 K

**INDUSTRIAL AND
WEATHER PROOF**

SILOLUX LED



Silolux LED

Luminaire type

Round wide-area LED high bay luminaire for suspended mounting.

Applications

High rooms, Halls, Warehouses, Manufacturing halls, damp rooms, Trade fair and exhibition halls.

Mounting methods

For suspended mounting as single luminaire. Single point suspension to centrally integrated fixing hooks. Mounting accessory must be ordered separately.

Optical system

Optical system with PC lens optic. Each LED module has own optical unit. Optimized luminance contrasts due to homogeneous, light-scattering diffuser panel. With rotationally symmetric narrow light distribution.

LED system

Luminaire luminous flux 11500 / 18400 / 23000 / 26450 Lm, connected load 100 / 160 / 200 / 230 W, luminous efficiency of luminaire 115 lm/W. Light colour neutral white, colour temperature 4000 / 5700 K, colour rendering index Ra > 80. Service life 50,000 h,

Luminaire body

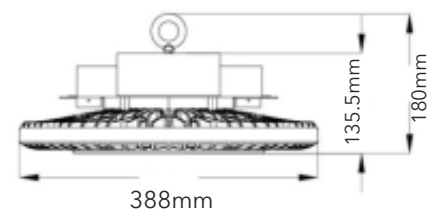
Robust die-cast housing with integrated cooling ribs, Colour silver grey. Permissible ambient temperature (ta): -25 °C - +35 °C.

Electrical connection

Mains connection is achieved via a 3-pole connection cable.

Electrical version

Electronic Switchable/Analog/DALI.
POE compatible version on request.



VARIANTS

10159942	LBL 11500 ET 90D-NW	100 W Bay Light, 90 Degree, 11500 Lm, 4000K, Electronic Switchable
10159944	LBL 11500 ET 90D-CW	100 W Bay Light, 90 Degree, 11500 Lm, 5700K, Electronic Switchable
10159946	LBL 18400 ET 90D-NW	160 W Bay Light, 90 Degree, 18400 Lm, 4000K, Electronic Switchable
10159948	LBL 18400 ET 90D-CW	160 W Bay Light, 90 Degree, 18400 Lm, 5700K, Electronic Switchable
10159950	LBL 23000 ET 90D-NW	200 W Bay Light, 90 Degree, 23000 Lm, 4000K, Electronic Switchable
10159952	LBL 23000 ET 90D-CW	200 W Bay Light, 90 Degree, 23000 Lm, 5700K, Electronic Switchable
10159954	LBL 26450 ET 90D-NW	230 W Bay Light, 90 Degree, 26450 Lm, 4000K, Electronic Switchable
10159956	LBL 26450 ET 90D-CW	230 W Bay Light, 90 Degree, 26450 Lm, 5700K, Electronic Switchable
10159943	LBL 11500 ET 120D-NW	100 W Bay Light, 120 Degree, 11500 Lm, 4000K, Electronic Switchable
10159945	LBL 11500 ET 120D-CW	100 W Bay Light, 120 Degree, 11500 Lm, 5700K, Electronic Switchable
10159947	LBL 18400 ET 120D-NW	160 W Bay Light, 120 Degree, 18400 Lm, 4000K, Electronic Switchable
10159949	LBL 18400 ET 120D-CW	160 W Bay Light, 120 Degree, 18400 Lm, 5700K, Electronic Switchable
10159951	LBL 23000 ET 120D-NW	200 W Bay Light, 120 Degree, 23000 Lm, 4000K, Electronic Switchable
10159953	LBL 23000 ET 120D-CW	200 W Bay Light, 120 Degree, 23000 Lm, 5700K, Electronic Switchable
10159955	LBL 26450 ET 120D-NW	230 W Bay Light, 120 Degree, 26450 Lm, 4000K, Electronic Switchable
10159957	LBL 26450 ET 120D-CW	230 W Bay Light, 120 Degree, 26450 Lm, 5700K, Electronic Switchable

INDUSTRIAL AND WEATHER PROOF

X TREMA
WEATHER PROOF



X Trema - Weather Proof

Luminaire type

Weather proof battens with IP 65 ratings for industrial and other applications in exposed climates requiring higher degree of ingress protection. .

Applications

Industry, Warehouses, Airports, Car Parks, Kitchens, Cold Rooms and Canopied outdoor areas

Mounting methods

Suspended / Surface Mounted
600 mm x 50 mm x 70mm / 1200mm x 50 mm x 70 mm

Optical system

Extruded Polycarbonate Housing with Opal Polycarbonate Vapour Proof Diffuser.

LED system

Best in class LEDs, with Luminaire luminous flux 1800 lm / 3600 lm, connected load 18 W / 36 W, luminous efficiency of luminaire 100 lm/W. Light Colour neutral white, Colour temperature 3000/ 4000/ 6000 K, Colour rendering index Ra > 80. Operating Temperature range - 20° C to 50° C. IP 65, Impact Protection IK- 10, Service Life of 50,000 Hours, Input Voltage 230 VAC, 50/60 Hz

Luminaire body

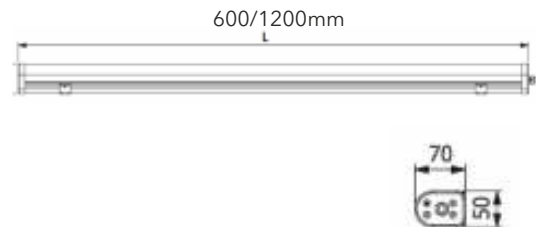
Extruded Polycarbonate, Vapour Proof, Anti Corrosive, White / Grey

Electrical connection

Mains connection is achieved via connection cable.

Electrical version

With Electronic Switchable
POE compatible version on request.



VARIANTS

10163663	TRL OTA 1800-830 ET	18 W Batten, 3000 K, Electronic Switchable
10163661	TRL OTA 1800-840 ET	18 W Batten, 4000 K, Electronic Switchable
10163662	TRL OTA 1800-860 ET	18 W Batten, 5700 K, Electronic Switchable
10163660	TRL OTA 3600-830 ET	36 W Batten, 3000 K, Electronic Switchable
10163658	TRL OTA 3600-840 ET	36 W Batten, 4000 K, Electronic Switchable
10163659	TRL OTA 3600-860 ET	36 W Batten, 5700 K, Electronic Switchable

AROUND THE BUILDING

KUVIAR PATH LIGHTING



Kuviar Path Lighting

Luminaire type

Bracket-mounted luminaire with flat cover.

Applications

Collection roads, Residential roads, Low-traffic roads, Pedestrian zones, Arcades, Passages, Paths in parks and green areas, Residential facilities, Stairs, Access areas, Car parks, Works roads.

Mounting methods

Bracket-mounted luminaire for mast spigot Ø 76 mm. Inclination angle for bracket mounting.

Optical system

With symmetrical wide light intensity distribution. Optical system with Multi-Lens Technology. With toughened glass, clear.

LED system

Luminaire luminous flux 2000 / 4000 / 6000 / 9000 Lm, connected load 20/40 /60/90 W, luminous efficiency of luminaire 100 lm/W. Ra > 80. Service Life : 50,000 hrs.

Luminaire body

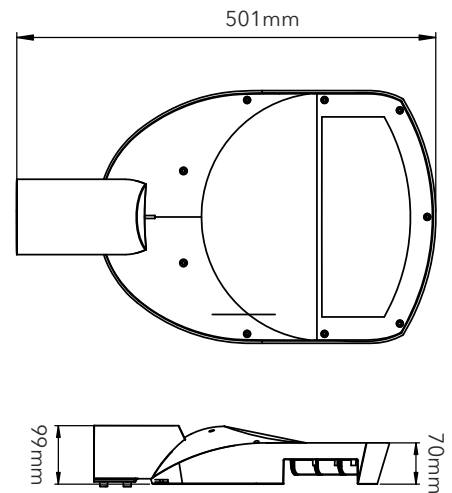
The modular luminaire consists of the basis module and optical module. The mechanical and electrical connection of the modules is achieved without use of tools. Luminaire body of die-cast aluminium. Colour anthracite

Electrical connection

With 3-pole terminal.

Electrical version

With Electronic Switchable.
External Surge Protection Device 10 KV.
POE compatible version on request.



VARIANTS

10141415	LSL 2500- ET	20 W Path Light, Electronic Switchable
10141416	LSL 4000- ET	40 W Path Light, Electronic Switchable
10141417	LSL 6000- ET	60 W Path Light, Electronic Switchable
10141418	LSL 9000- ET	90 W Path Light, Electronic Switchable

**AROUND THE
BUILDING**

ENDURA PATH LIGHTING



ENDURA IND G3 120/ 150/ 180/ 200 W

Luminaire type

Bracket-mounted luminaire with flat cover for Path lighting

Applications

Collection roads High traffic roads, Work roads.

Mounting methods

Bracket mounted luminaire. The spigot of outer $\text{Ø} 70 \text{ mm}$ with two mounting screw accessible from outside. Mast mounting via two stainless steel fixing screw

Optical system

Symmetrical wide light intensity distribution. Further beam characteristics are available for flexible adaptation to customer-specific lighting tasks.

LED system

Luminaires luminous flux 12000/15000/18000/20000 lm, connected load 120/150/180/200 W, luminous efficiency of luminaire 100 lm/W. Color temperature 4000K/5700K/6500K, color rendering index $R_a > 80$.

Service Life : 50,000 hrs.

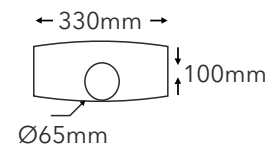
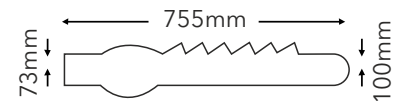
Luminaire body

Luminaire body is made of high pressure die-cast aluminum, with side contour, with closed appearance. Luminaire body finished in RAL 7022 grey, highly weather resistant, and powder-coated. Toughened Glass safety cover to protect LED Module with independent Control gear housing for ease of Maintenance.

Electrical version

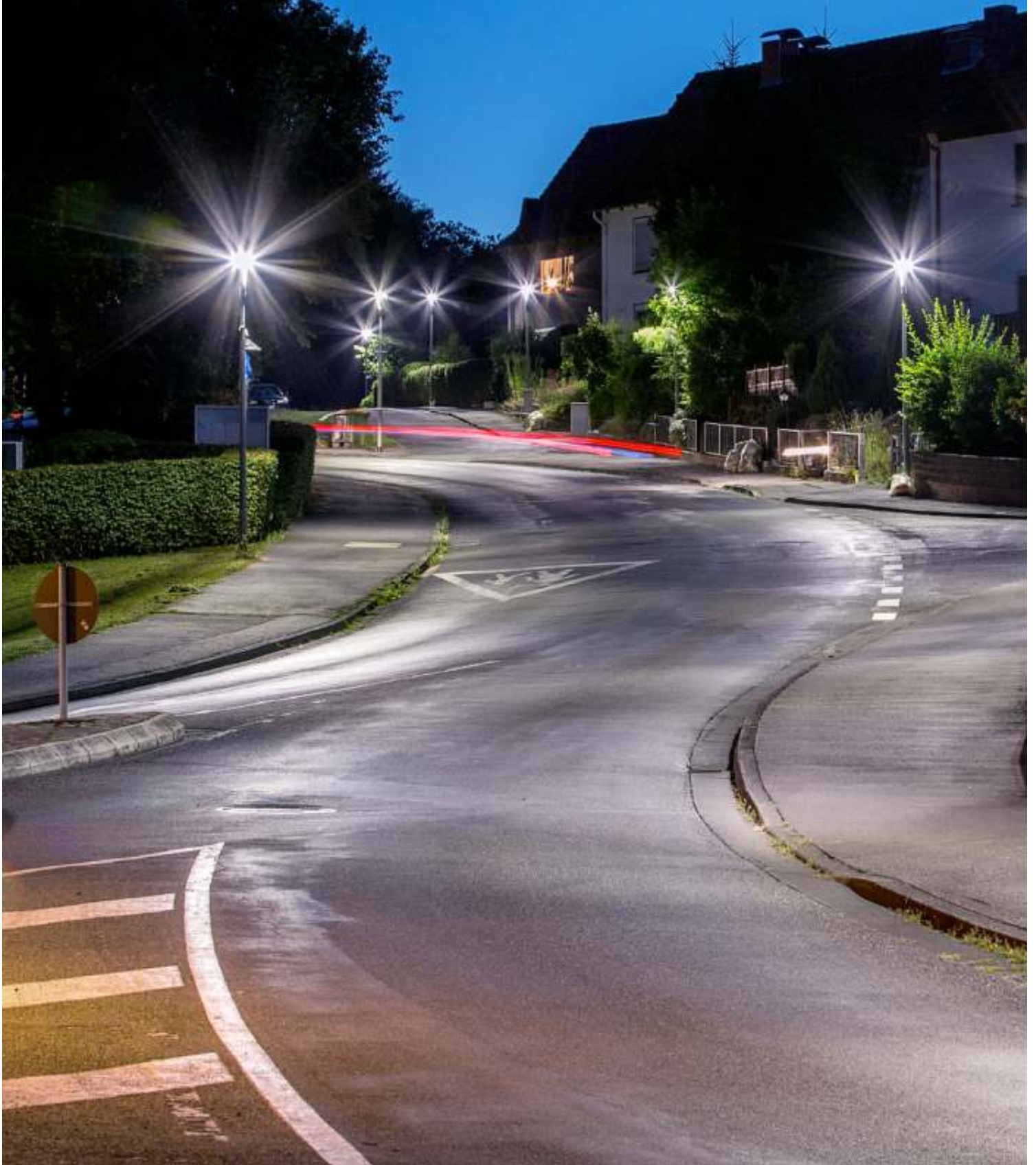
Electronic Switchable /DALI

POE compatible version on request.



AROUND THE BUILDING

ENDURA PATH LIGHTING



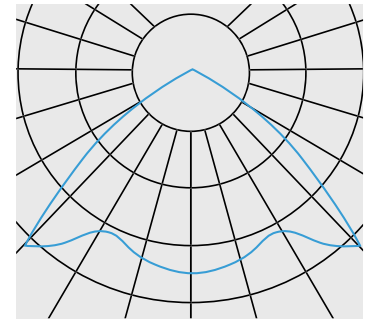
ENDURA IND G3 120/ 150/ 180/ 200 W

VARIANTS

10158051	ENDURA IND G3 12000-840 ET 02	12000 Lm, 4000 K, Electronic Switchable
10158053	ENDURA IND G3 12000-857 ET 02	12000 Lm, 5700 K, Electronic Switchable
10158055	ENDURA IND G3 12000-865 ET 02	12000 Lm, 6500 K, Electronic Switchable
10158057	ENDURA IND G3 15000-840 ET 02	15000 Lm, 4000 K, Electronic Switchable
10158059	ENDURA IND G3 15000-857 ET 02	15000 Lm, 5700 K, Electronic Switchable
10158061	ENDURA IND G3 15000-865 ET 02	15000 Lm, 6500 K, Electronic Switchable
10158063	ENDURA IND G3 18000-840 ET 02	18000 Lm, 4000 K, Electronic Switchable
10158065	ENDURA IND G3 18000-857 ET 02	18000 Lm, 5700 K, Electronic Switchable
10158067	ENDURA IND G3 18000-865 ET 02	18000 Lm, 6500 K, Electronic Switchable
10158069	ENDURA IND G3 20000-840 ET 02	20000 Lm, 4000 K, Electronic Switchable
10158071	ENDURA IND G3 20000-857 ET 02	20000 Lm, 5700 K, Electronic Switchable
10158073	ENDURA IND G3 20000-865 ET 02	20000 Lm, 6500 K, Electronic Switchable
10158052	ENDURA IND G3 12000-840 ETDD 02	12000 Lm, 4000 K, DALI Dimmable
10158054	ENDURA IND G3 12000-857 ETDD 02	12000 Lm, 5700 K, DALI Dimmable
10158056	ENDURA IND G3 12000-865 ETDD 02	12000 Lm, 6500 K, DALI Dimmable
10158058	ENDURA IND G3 15000-840 ETDD 02	15000 Lm, 4000 K, DALI Dimmable
10158060	ENDURA IND G3 15000-857 ETDD 02	15000 Lm, 5700 K, DALI Dimmable
10158062	ENDURA IND G3 15000-865 ETDD 02	15000 Lm, 6500 K, DALI Dimmable
10158064	ENDURA IND G3 18000-840 ETDD 02	18000 Lm, 4000 K, DALI Dimmable
10158066	ENDURA IND G3 18000-857 ETDD 02	18000 Lm, 5700 K, DALI Dimmable
10158068	ENDURA IND G3 18000-865 ETDD 02	18000 Lm, 6500 K, DALI Dimmable
10158070	ENDURA IND G3 20000-840 ETDD 02	20000 Lm, 4000 K, DALI Dimmable
10158072	ENDURA IND G3 20000-857 ETDD 02	20000 Lm, 5700 K, DALI Dimmable
10158074	ENDURA IND G3 20000-865 ETDD 02	20000 Lm, 6500 K, DALI Dimmable

Photometric Curve

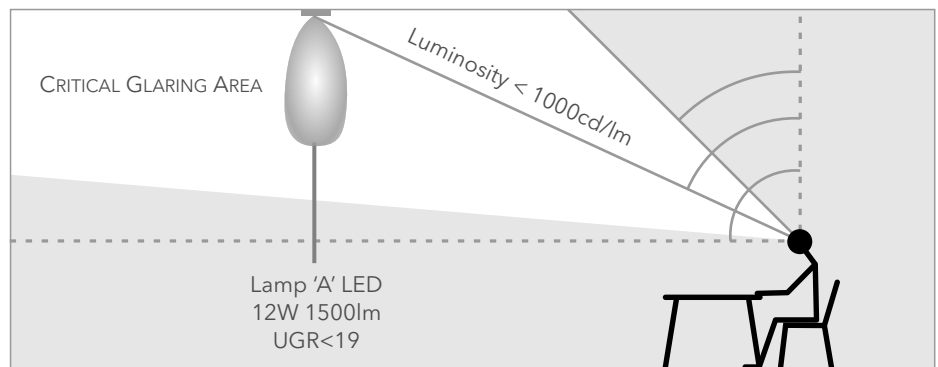
Photometric curve is a graph that visualizes the confluence of the points indicating the luminous intensity distributed in each direction by a light source determining the "solid angle". The solid angle, intersected with the planes creates the photometric curves. Photometric curves can be illustrated utilizing polar graphs.



Unified Glare Ratio (UGR)

UGR (Unified Glare Rating) is a unified international index developed for evaluating direct glare in a light fixture / system, considering the position of luminaires, manifestation of room characteristics (dimensions, reflections), and the observation point of people working under it. These values indicate the visual comfort gradient of a luminaire, considering a room with standard dimensions and reflection indices.

A lower UGR value indicates lesser direct glare and more visual comfort.



Protection Class



Class I:

A fixture whose protection against shock is based on Earth wiring.



Class II:

A fixture whose protection against shock is based on reinforced double insulation.














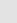
Class III:

A fixture whose protection against shock is based on a safety extra low voltage supply SELV, in which higher voltages than that of SELV are not generated.

Ingress Protection

The degree of protection against ingress of solids (identified by first numeral) and moisture (identified by second numeral) is known as International Protection Rating, shown as IP rating of a fixture.

Degrees of protection	
IP 0	Protection against touching and ingress of particles No Protection
1	Protection against solid objects Ø 50mm
2	Protection against solid objects Ø 12mm Protection against touching with fingers
3	Protection against solid objects Ø 2.5mm Protection against touching with tools
4	Protection against solid objects Ø 1mm Protection against touching with wire and fine tools
5	Dust protected; The ingress of dust is not avoided completely. it can accumulate on non dangerous areas. Complete protection against touching
6	Dust proof; The ingress of dust is completely avoided.

IP 0	Protection against ingress of water No protection
1 	Protection against vertically dropping water
2 	Protection against 15c tiled dripping water
3 	Protection against spraying water, protected against rain
4 	Protection against spraying water from all directions
5   	Protection against water jets from all directions
6	Protection against heavy seas
7  	Protection against the effects of immersion
8    ...M	Protection against immersion

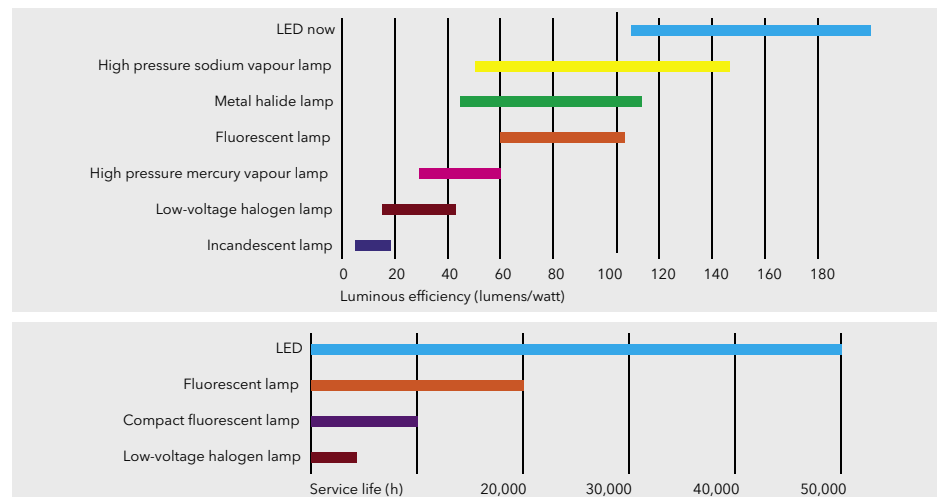
TECHNOLOGY, THEMES AND TRENDS

ABOUT LED

Light emitting diode is a point shaped light source that emits light at a narrow angle of Zero Degree to 150 Degrees (Full width, half maximum). Using primary, secondary and tertiary optics that includes lenses, diffusers or reflectors, the light distribution can be specifically adapted to suit an application, be it narrow or wide angle, symmetric or asymmetric light solutions.

With the world moving to LED lighting, the lighting industry is currently experiencing a revolutionary transition, a transition so rapid that it is becoming a challenge to adopt standards and norms, causing uncertainty in the market about quality and data.

Making it imperative to understand and harness the high potential LED offers as one of the most efficient light source today, in terms of efficiency and in terms of service life as compared to other sources of light.



With use of premium components, perfect light control, optimal use of energy, light stability and colour rendering index (CRI), Trilux ensures the Intrinsic luminaire delivered to you is top class and reliable.

Four Criteria for a good LED Luminaire

Premium components

The source of LEDs is particularly decisive for quality and service life of the light.

Perfect light control

Only with precise light control the advantage of LEDs can be fully used.

Ideal use of energy

LEDs have low-cost power consumption, but they do not operate efficiently in terms of energy in all cases. The luminous efficiency of the complete system is decisive.

Light stability and light colour

During planning, light colour and light stability over the service life should definitely be taken into account.

TRILUX TIP

LED and design - complete flexibility with form and colour

LEDs with a diameter of 0.5 mm, flexible LED modules that can be integrated as bands, chains or surfaces into luminaires and 16.7 million colours - never before have luminaire designers had such flexibility with forms and colour design. TRILUX uses this creative freedom mainly for one thing: to construct luminaires that are both so innovative and attractive that they deserve design awards and so powerful and energy-efficient that they inspire in practice.

Critical LED Standards

LM-79, LM - 80, TM-21

LM-79-08

The Illuminating Engineering Society of North America (IESNA) has approved a method for the Electrical and Photometric Measurements of Solid-State Lighting. It measures an LED luminaire or integral lamp as a whole system according to a standard process using specified equipment.

LM-79-08 testing can be performed by an EPA-Recognized Laboratory for the category of product tested. This standard is used for Department of Energy (DOE) ENERGY STAR program qualification and lighting facts advocate program. All GREEN CREATIVE product testing are performed according to LM-79-08 in an EPA recognized laboratory and reports are available upon request.

The report in a standard format will include:

- Total Luminous Flux
- Luminous Intensity Distribution
- Electrical Power Characteristics
- Luminous Efficacy
- CRI & CCT

LM-80-08

The Illuminating Engineering Society of North America (IESNA) has approved a standard for measuring lumen maintenance of LED light sources. LM-80-08 applies to the LED package, array, or module alone, at a component level and not of a complete system and does not provide guidance for extrapolation of testing results.

LM-80-08 testing can be performed by an EPA recognized Laboratory and the standard is used for Department of Energy (DOE) ENERGY STAR program early qualification in conjunction with other reports. Most GREEN CREATIVE products use LED with available LM-80-08 test report from a recognized laboratory.

The report in a standard format will include:

- Luminous flux for a given current over a 6,000 hours period with interval measurements
- Luminous flux will be measure for 3 different LED case temperatures: 55°C, 85°C and a third temperature to be selected by manufacturer.
- The lumen maintenance, the chromaticity shifts over the measured period.

TM-21-11

The Illuminating Engineering Society of North America (IESNA) has approved a method for taking LM-80 data and making useful LED lifetime projections. The standards apply to lifetime projection of LED package, array or module alone. The results can then be used to interpolate the lifetime of an LED source within a system (luminaire or integrated lamp) using the in-situ LED source case temperature.

This is not a test but a mathematical derivation based on LM-80-08 collected data. Among other things, TM 21-11 considers:

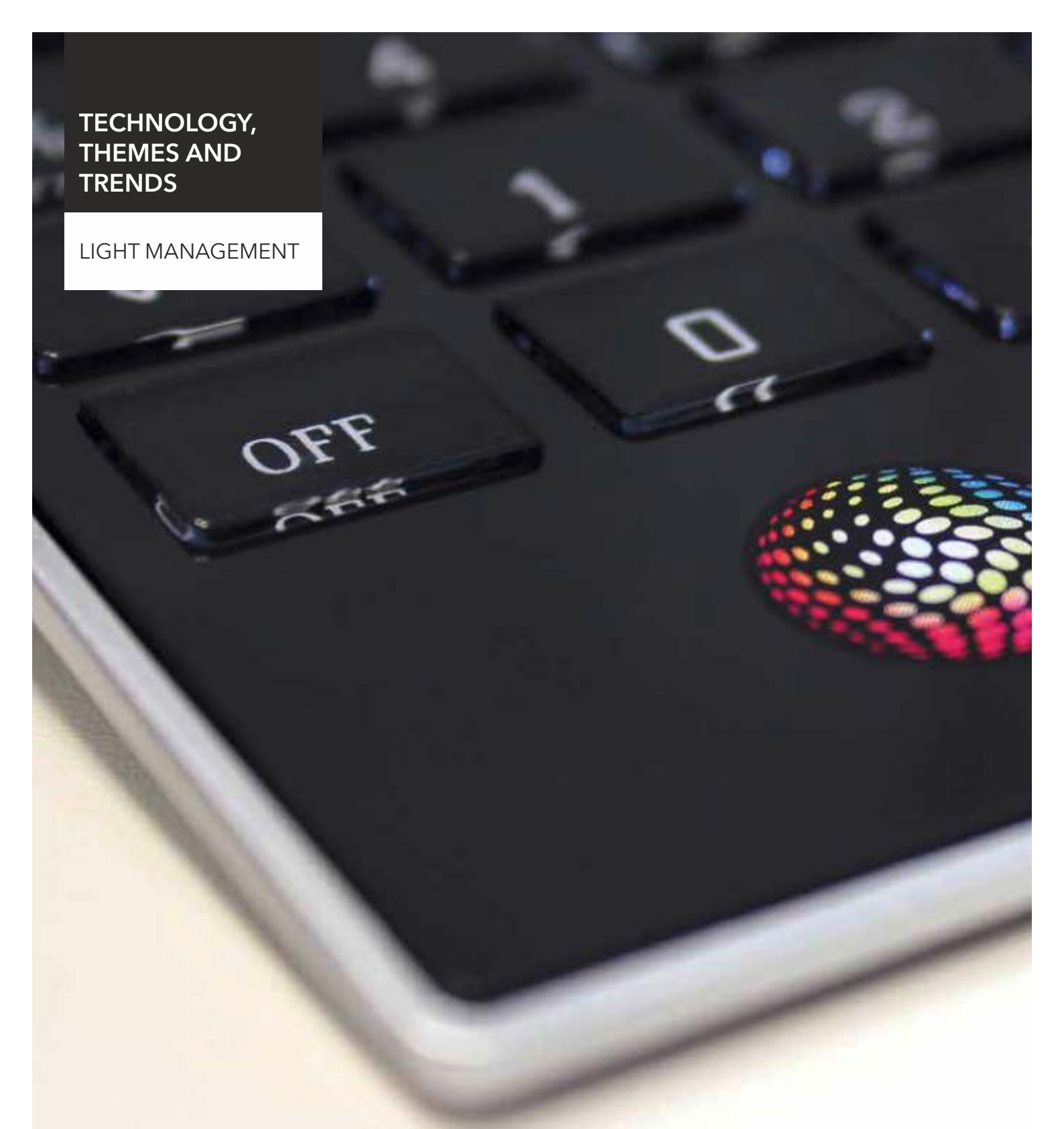
- If total LM-80 data period is between 6,000 and 10,000 hrs, the last 5,000 hours are considered.
- If total data period is above 10,000 hours, the last half of collected data is considered.
- In situ case temperature interpolation using Arrhenius equation between LM-80 temperature
- Projections are limited to 6 times the available LM-80 data period so projected and reported lifetime may or not be the same

The method provides a projected lifetime for the LED source or system.

Life notation results will then use the following standardized nomenclature: $L_p(Yk)$

- P: Lumen maintenance percentage. For LED luminaire L70 is considered to be the standard. After 30% lumen depreciation, the system is considered not performing to its expected level and should be replaced.
- Y: Length of LM-80 data period in thousands of hours

Example: $L_{70}(6k) = 36,000$ hour

A close-up photograph of a black keyboard. The focus is on a specific key labeled "OFF" in white. To the right of the "OFF" key, there is a circular, multi-colored light sensor or indicator, possibly a fingerprint scanner or a light management sensor, with a grid of small, glowing dots in various colors (red, yellow, green, blue, purple). The keyboard is set against a dark background, and the lighting is soft, highlighting the texture of the keys and the glow of the sensor.

TECHNOLOGY, THEMES AND TRENDS

LIGHT MANAGEMENT

Too much or too little of light can seriously impair visual comfort. It is imperative that we have the right amount of light, where it is required. With our robust R&D and continuous innovation, Trilux guarantees just the "Right Light".

TECHNOLOGY, THEMES AND TRENDS

LIGHT MANAGEMENT



Energy Savings

Designing high effort installations require optimizing light while minimizing energy costs associated that can be daunting task for planners. Switching and dimming depending on presence and time, availability of natural light are some of the various factors to consider when planning an installation with an eye on energy savings. Intelligent light fixtures equipped with sensors and dimmable drivers that can be integrated with building controls and light managements systems offer new vistas in containing the energy costs by up to 85% starting from installation.



Intelligent Lighting - LiveLink

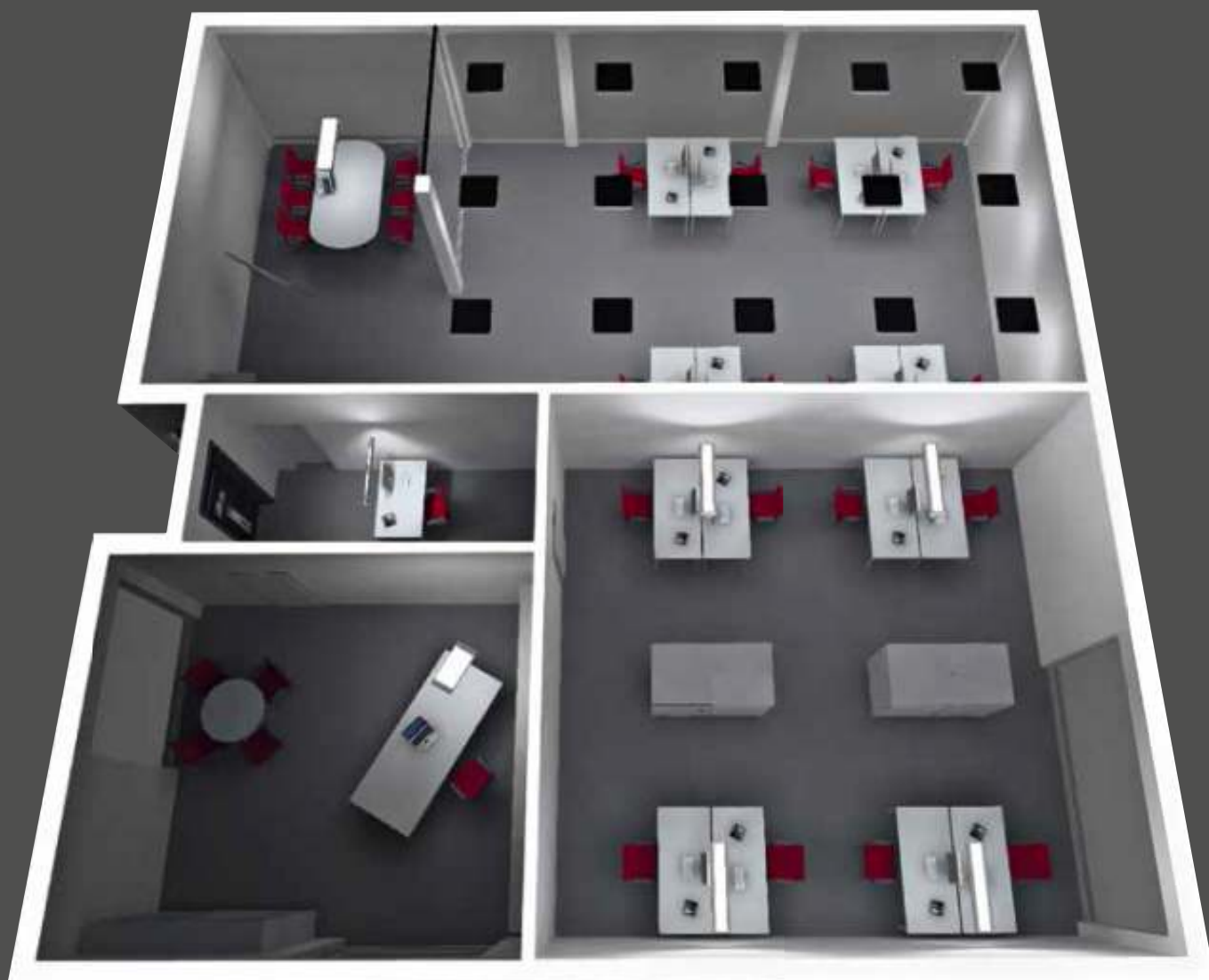
Intelligent light revolutionises our everyday life just as the invention of the incandescent bulb did way back when. The entry of LED technology into the mass market already constitutes the foundation for these far-reaching changes. Already today, LED results in massive energy savings. But this does not, by a long shot, exhaust the opportunities.

Light can support healing, improves our ability to concentrate and perform, and increases our well-being as well as safety and security. Managing Light provides new functions through intelligence and that makes planning and installation completely straight-forward.

LiveLink is a perfectly attuned light management system from Trilux, that fully acknowledges the market's readiness for practically implementing the technical options as provided by connectivity, and bringing to fore the future of lighting - networking and connecting high efficiency luminaries with high quality sensors, lending them intelligence and yet keeping the installation simple to offer the planners and clients a smart, convenient and energy efficient solution. Fully exploring the benefits of predictive maintenance and cloud connections and exploiting all the benefits of Human Centric Lighting.

TECHNOLOGY, THEMES AND TRENDS

LIGHT MANAGEMENT



Human Centric Lighting

Human body and its biorhythm are significantly influenced by light. Tuned to the sunlight, humans react differently at different times of the day and night. Therefore, daylight is the model on which artificial lighting of our modern living environment has been based. In particular, the blue component of the light, i.e.; the colour of the sky has proved to be our synchronizer. Therefore, modern light management systems use these findings to control various light components in providing the right light at the right time to achieve higher well being, reduce visual fatigue and garner more attention.

Human Centric Lighting

Artificial lighting initially served only to extend the daytime period. This was a major step that changed society but the non-visual effect of light was initially neglected. This however significantly influences our levels of well-being. The spectrum and light colour of daylight change according to time of the day and season of the year. This change in turn influences the psyche and physique of people. Human Centric Lighting enables us to utilise this non-visual effect of light. In general, four fundamental applications are differentiated between:



Melanopic-effective lighting maintaining health

Light that supports the day/night rhythm. This promotes and maintains health and performative capability by automatically modifying its light colour and intensity (as with daylight) across the 24-hour rhythm.



Melanopic-effective lighting for activation

Light affects attention levels and concentration and increases our cognitive performance capabilities. If required, these effects can also be achieved by individual modifications towards cooler light colours.



Melanopic-effective lighting for recovery

Light improves well-being by changing the light colour to warmer colour tones according to individual requirements.



Emotional light

Light displays and accentuates, and therefore creates atmosphere, enthusiasm and well-being.

If used intelligently, Human Centric Lighting makes an important contribution to better lighting quality and quality of life. We transform these technically complex challenges into user-friendly lighting solutions.

Corporate Sales & Marketing Office:

TRILUX Lighting (India) Pvt. Ltd.
719-720, 7th Floor,
International Trade Tower,
Nehru Place,
New Delhi - 110019.
+91 11 4103 4322 / 4822 / 4922
+91 11 4103 4122

salesindia@trilux.com | www.trilux.com

Global Headquarter:

TRILUX GmbH & Co. KG
Heidestraße · D-59759 Arnsberg
Postfach 19 60 · D-59753 Arnsberg
Germany
Phone +49 2932 3010
Fax + 49 2932 301375

sales@trilux.com | www.trilux.com